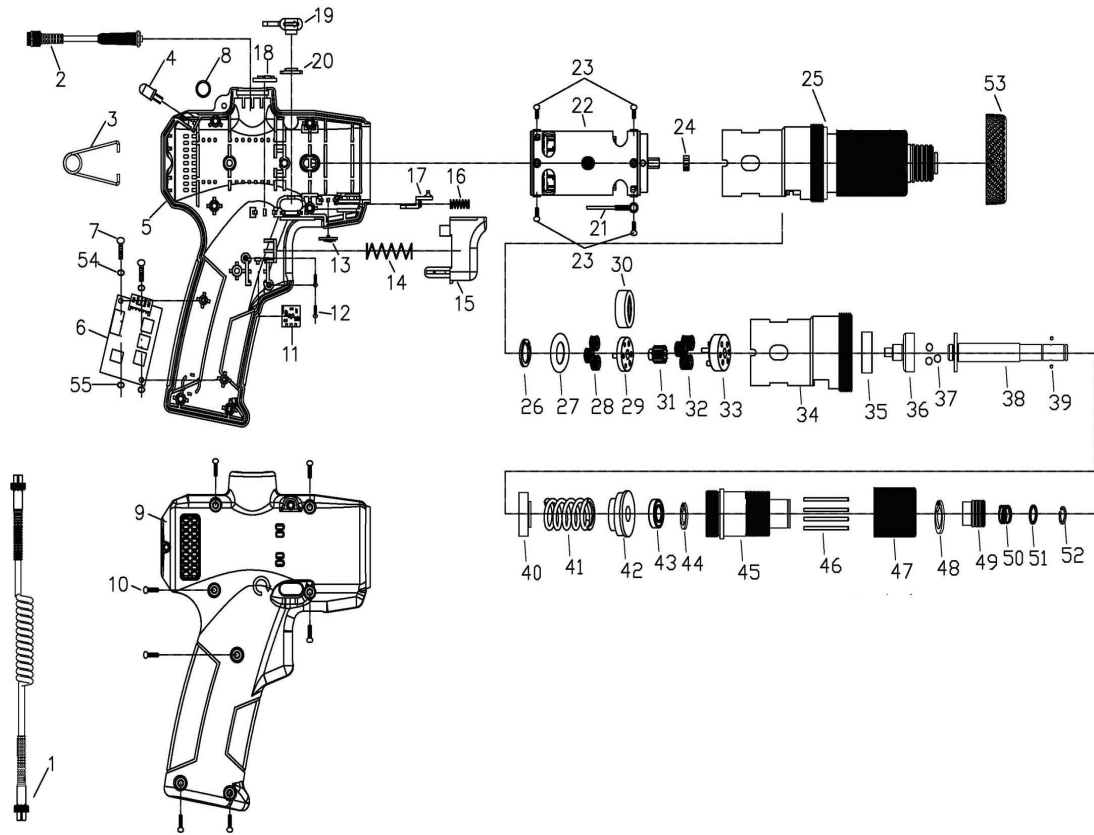


OSAKA BRUSHLESS FULL AUTO SHUT-OFF DC40V, PISTOL TYPE LEVER-START HIGH SPEED ELECTRIC SCREWDRIVER (6PIN) -UPPER POWER INPUT- OPT-E KTB625KU

OSAKA BRUSHLESS FULL AUTO SHUT-OFF DC40V, PISTOL TYPE LEVER-START ELECTRIC SCREWDRIVER (6PIN) -UPPER POWER INPUT- OPT-E KTB630KU

OSAKA BRUSHLESS FULL AUTO SHUT-OFF DC40V, PISTOL TYPE LEVER-START ELECTRIC SCREWDRIVER (6PIN) -UPPER POWER INPUT- OPT-E KTB650KU



P-1710A-K2

OSAKA BRUSHLESS FULL AUTO SHUT-OFF DC40V, PISTOL TYPE LEVER-START ELECTRIC SCREWDRIVER (6PIN) -UPPER POWER INPUT- OPT-E KTB620KU

OSAKA BRUSHLESS FULL AUTO SHUT-OFF DC40V, PISTOL TYPE LEVER-START HIGH SPEED ELECTRIC SCREWDRIVER (6PIN) -UPPER POWER INPUT- OPT-E KTB625KU

OSAKA BRUSHLESS FULL AUTO SHUT-OFF DC40V, PISTOL TYPE LEVER-START ELECTRIC SCREWDRIVER (6PIN) -UPPER POWER INPUT- OPT-E KTB630KU

OSAKA BRUSHLESS FULL AUTO SHUT-OFF DC40V, PISTOL TYPE LEVER-START ELECTRIC SCREWDRIVER (6PIN) -UPPER POWER INPUT- OPT-E KTB650KU

BASDE ON QUOTATION: Q-20080501

PARTS LIST

| No. | Parts No. | Description | Q'ty | Unit Price | No. | Parts No. | Description | Q'ty | Unit Price |
|-----|---------------------|---|------|------------|-----|-------------|---|------|------------|
| 1 | EPAA50005-86P-10-1N | Cord Assembly 3m | 1 | \$115.20 | 26 | EPGK21181 | "C" Ring | 1 | \$0.60 |
| | EPAA50005-86P-1N | Cord Assembly 2m I/O Signal Control Box* | 1 | \$127.20 | 27 | EPGK21191 | Iron Washer | 1 | \$0.60 |
| 2 | EPAA50001-169-1N-T | Cord Assembly | 1 | \$24.00 | 28 | EPGH21221-2 | Planet Gear For OPT-E KTB620KU, OPT-E KTB630KU | 3 | \$4.20 |
| 3 | EPCJ20012-1 | Suspension Hook | 1 | \$4.20 | 29 | EPGH92260 | Planet Gear For OPT-E KTB650KU | 3 | \$9.60 |
| 4 | EPES3105-6 | Led | 1 | \$3.60 | 30 | EPGG21231 | Gear Seat For OPT-E KTB620KU, OPT-E KTB630KU | 1 | \$5.40 |
| 5 | EPCB93124-1 | Housing-Underside (Power Source On The Top) | 1 | \$0.00 | 31 | EPGG92287 | Gear Seat For OPT-E KTB650KU | 1 | \$7.80 |
| | EPCB93124-2 | Housing-Underside (Power Source On The Top) (ESD) | 1 | \$60.00 | 32 | EPG21311 | Spacer For OPT-E KTB625KU | 1 | \$0.00 |
| 6 | EPES31455BN | P.C.B | 1 | \$19.80 | 33 | EPG2104-1 | Central Gear For OPT-E KTB620KU, OPT-E KTB630KU | 1 | \$7.80 |
| 7 | EPCCH0154-1 | Screw | 2 | \$0.00 | 34 | EPG20122 | Central Gear For OPT-E KTB650KU | 1 | \$12.00 |
| | EPCCH20510-1 | Screw (ESD) | 2 | \$0.60 | 35 | EPGH21221-2 | Planet Gear For OPT-E KTB620KU, OPT-E KTB630KU | 3 | \$4.20 |
| 8 | EPCJ20011-4 | Suspension Ring | 1 | \$0.00 | 36 | EPGH92239 | Planet Gear For OPT-E KTB625KU | 3 | \$0.00 |
| 9 | EPCA93124-1 | Housing-Underside (Power Source On The Top) | 1 | \$0.00 | 37 | EPGH92260-1 | Planet Gear For OPT-E KTB650KU | 3 | \$9.60 |
| | EPCA93124-2 | Housing-Underside (Power Source On The Top) (ESD) | 1 | \$60.00 | 38 | EPGG21516 | Gear Seat For OPT-E KTB620KU, OPT-E KTB630KU | 1 | \$7.80 |
| 10 | EPCCH20102 | Screw | 7 | \$0.60 | 39 | EPGG21515 | Gear Seat For OPT-E KTB625KU | 1 | \$0.00 |
| 11 | EPES31420-11F | Start Switch | 1 | \$16.20 | 40 | EPGG92287-1 | Gear Seat For OPT-E KTB650KU | 1 | \$7.80 |
| 12 | EPCCH30201 | Screw For Start Switch | 2 | \$0.60 | 41 | EPGA81104 | Gear Case For OPT-E KTB620KU, OPT-E KTB630KU | 1 | \$79.20 |
| 13 | EPES31420-29F | Shut Off Switch | 1 | \$16.20 | 42 | EPGA81104-1 | Gear Case For OPT-E KTB650KU | 1 | \$79.20 |
| 14 | EPC28033 | Trigger Spring-6.6mm | 1 | \$1.20 | 43 | EPGN21251 | Bearing | 1 | \$7.80 |
| 15 | EPC270015-2 | Trigger Assembly | 1 | \$0.00 | 44 | EPGC90308-1 | Cam For OPT-E KTB620KU, OPT-E KTB630KU | 1 | \$105.60 |
| | EPC270015-3 | Trigger Assembly (ESD) | 1 | \$6.60 | 45 | EPGC90308-2 | Cam For OPT-E KTB650KU | 1 | \$105.60 |
| 16 | EPC40407-1 | Shut Off Spring-3.7mm | 1 | \$1.20 | 46 | EPG30361 | Steel Balls 5mm | 3 | \$0.60 |
| 17 | EPC150217-5 | Brake Lever | 1 | \$4.80 | 47 | EPGD91419A | Shaft For Hex. 5mm Type (Opt.) | 1 | \$0.00 |
| 18 | EPES31455A-1F | FIR Switching Element P.C.B. | 1 | \$356.40 | 48 | EPGD91419 | Shaft For Hex. 6.35mm Type (Opt.) | 1 | \$0.00 |
| 19 | EPC150218-9 | Forward/Reverse Lever For OPT-E KTB620KU | 1 | \$4.20 | 49 | EPGD91419-1 | Shaft For Hex. 6.35mm-B9.5 Type | 1 | \$92.40 |
| | EPC150218-6 | Forward/Reverse Lever For OPT-E KTB630KU | 1 | \$4.20 | 50 | EPGP21291A | Steel Balls For Hex. 5mm Type (Opt.) | 2 | \$0.00 |
| | EPC150218-7 | Forward/Reverse Lever For OPT-E KTB650KU | 1 | \$4.20 | 51 | EPGP21291B | Steel Balls For Hex. 6.35mm Type | 2 | \$0.60 |
| 20 | EPES3231-1 | Forward/Reverse Spring | 1 | \$2.40 | 52 | EPGF90328 | Waring Plete | 1 | \$46.20 |
| 21 | EPC150671-11 | Grounding Means | 1 | \$3.00 | 53 | EPGE92424 | Waring Spring For OPT-E KTB620KU | 1 | \$12.00 |
| 22 | EPMO91508CE | Motor Assembly For OPT-E KTB620KU, OPT-E KTB630KU | 1 | \$549.60 | 54 | EPGE92421 | Waring Spring For OPT-E KTB625KU | 1 | \$0.00 |
| | EPMO91508-1CE | Motor Assembly For OPT-E KTB625KU | 1 | \$0.00 | 55 | EPGE92423 | Waring Spring For OPT-E KTB630KU | 1 | \$12.00 |
| | EPMO91509CE | Motor Assembly For OPT-E KTB650KU | 1 | \$0.60 | 56 | EPGE92425 | Waring Spring For OPT-E KTB650KU | 1 | \$12.00 |
| 23 | EPCCH20504-11 | Screw For Motor | 8 | \$0.60 | 57 | EPGY21321 | Waring Spring Base | 1 | \$18.00 |
| 24 | EPH11317-1 | Drive Pinion For OPT-E KTB620KU, OPT-E KTB630KU | 1 | \$9.60 | 58 | EPGN30434 | Bearing | 1 | \$12.00 |
| | EPGZPTA2000-1A | Gear Housing For OPT-E KTB620KU Hex. 5mm (Opt.) | 1 | \$0.00 | 59 | EPGK20231B | C Ring | 1 | \$0.60 |

| | | | | | | | | | |
|----|--------------------|--|---|----------|----|------------|------------------------------------|---|---------|
| 25 | EPGZPTA2000-1B | Gear Housing For OPT-E KT8620KU Hex. 6.35mm (Opt.) | 1 | \$0.00 | 45 | EPG20213 | Clutch Case | 1 | \$13.20 |
| | EPGZPTA2000-2B | Gear Housing For OPT-E KT8620KU Hex. 6.35mm-B9.5 | 1 | \$554.40 | 46 | EPGL21371 | Torque Adjust Pin | 4 | \$0.60 |
| | EPGZPTA2500-3FA | Gear Housing For OPT-E KT8625KU Hex. 5mm (Opt.) | 1 | \$0.00 | 47 | EPGM21381 | Torque Adjust Ring | 1 | \$19.80 |
| | EPGZPTA2500-3FB | Gear Housing For OPT-E KT8625KU Hex. 6.35mm (Opt.) | 1 | \$0.00 | 48 | EPGS21391 | "C" Ring | 1 | \$0.60 |
| | EPGZPTA2500-3FB9.5 | Gear Housing For OPT-E KT8625KUe Hex. 6.35mm-B9.5 | 1 | \$0.00 | 49 | EPGJ21352 | Bit Sleeve | 1 | \$24.00 |
| | EPGZPTA3000-1A | Gear Housing For OPT-E KT8630KU Hex. 5mm (Opt.) | 1 | \$0.00 | 50 | EPGO21346 | Bit Spring | 1 | \$3.00 |
| | EPGZPTA3000-1B | Gear Housing For OPT-E KT8630KU Hex. 6.35mm (Opt.) | 1 | \$0.00 | 51 | EPG21435 | Washer | 1 | \$0.60 |
| | EPGZPTA3000-2B | Gear Housing For OPT-E KT8630KU Hex. 6.35mm-B9.5 | 1 | \$554.40 | 52 | EPGQ21361 | "C" Ring | 1 | \$0.60 |
| | EPGZPTA6002-1A | Gear Housing For OPT-E KT8650KU Hex. 5mm (Opt.) | 1 | \$0.00 | 53 | EPGD91041 | Coupler | 1 | \$16.20 |
| | EPGZPTA6002-1B | Gear Housing For OPT-E KT8650KU Hex. 6.35mm (Opt.) | 1 | \$0.00 | 54 | EPP11020-1 | Insulating Washer-0.8mm (Up) (ESD) | 2 | \$0.60 |
| | EPGZPTA6002-1B9.5 | Gear Housing For OPT-E KT8650KU Hex. 6.35mm-B9.5 | 1 | \$594.00 | | | | | \$0.00 |