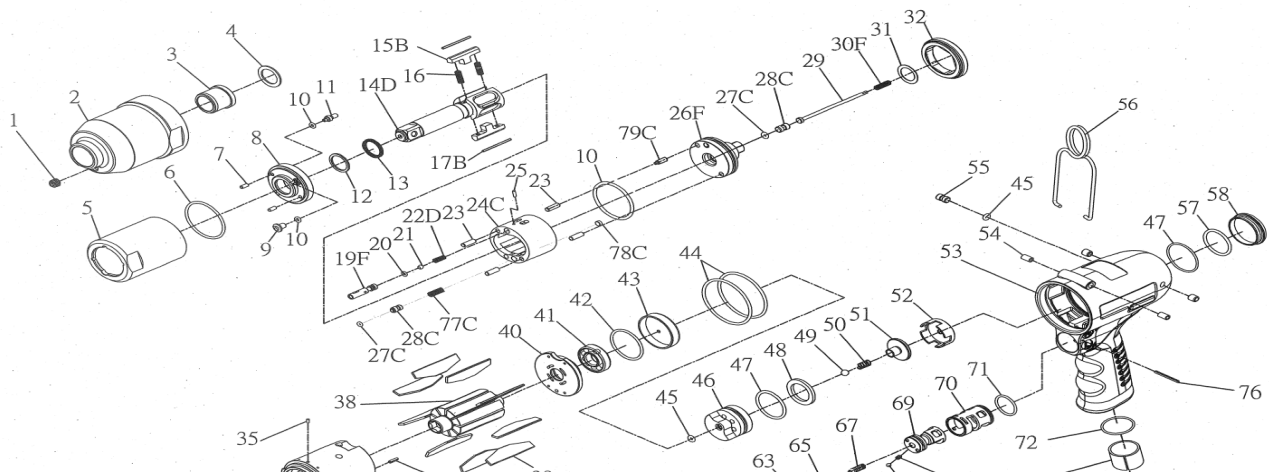


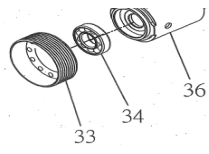
OSAKA OPC 55012 IMPULSE SOMUN SÖKME

No.	Part No.	Description	Q'ty	FİYAT		No.	Part No.	Description	Q'ty	FİYAT	
1	00-0612	Screw	1	\$ 1,80	45	00-41113	O-Ring	2	\$ 1,20		
2	1100-201	Pulse Unit Housing	1	\$ 31,20	46	IS100-524	Valve Seat	1	\$ 62,40		
3	1100-202	Bushing	1	\$ 25,20	47	00-41127	O-Ring	2	\$ 1,20		
4	1100-424	Washer	1	\$ 2,40	48	IS100-312	Washer	1	\$ 16,80		
5	1100-401	Pulse Cylinder Seat	1	\$ 66,00	49	00-3824	Steel Ball	1	\$ 1,20		
6	00-41106	O-Ring	2	\$ 1,80	50	IS100-313	Spring	1	\$ 1,80		
7	00-3426	Spring Pin	2	\$ 1,80	51	IS100-311	Valve	1	\$ 16,80		
8	1100-408	Front Plate	1	\$ 78,00	52	IS100-518	Seat	1	\$ 21,60		
9	1100-410	Greasing Screw	1	\$ 1,20	53	IS100-101	Motor Housing (incl.54)	1	\$ 332,40		
10	00-4153	O-Ring	3	\$ 1,20	54	I40S-108	Bushing	4	\$ 0,00		
11	1100-411	Valve Screw	1	\$ 3,60	55	IS100-609	Screw	1	\$ 5,40		
12	1100-409	Back Up Ring	1	\$ 3,60	56	I40S-102	Hanger	1	\$ 12,00		
13	00-2601	X-Ring	1	\$ 19,80	57	00-41166	O-Ring	1	\$ 1,20		
14D	1100-405	Anvil	1	\$ 157,20	58	1100-104	Nut	1	\$ 13,20		
15B	1100-406-B	Drive Blade	2	\$ 93,60	59	I130-504	Trigger	1	\$ 1,80		
16	1100-407	Spring	2	\$ 3,60	60	00-3354	Spring pin	1	\$ 1,20		
17B	1100-452	Roller	2	\$ 10,80	61	00-0505	Screw	2	\$ 1,20		
19F	IS100-412-B	Valve	1	\$ 16,80	62	1100-503	Regulator Knob	1	\$ 18,00		
20	00-4101	O-Ring	2	\$ 1,20	63	IS100-505	Valve Stem	1	\$ 7,20		
21	00-3813	Steel Ball	2	\$ 1,20	64	00-3356	Spring Pin	1	\$ 1,20		
22D	IS100-425	Spring	1	\$ 1,80	65	1100-508	Bushing	1	\$ 7,20		
23	00-3432	Pin	4	\$ 1,80	66	00-41172	O-Ring	1	\$ 1,20		
24C	1100-404-B	Pulse Cylinder	1	\$ 343,20	67	1100-507	Spring	1	\$ 1,80		
25	00-3441	Pin	1	\$ 1,80	68	1100-506	Spring	1	\$ 1,80		
26F	IS100-415-B	Rear Plate	1	\$ 168,00	69	IS100-502	F/R Valve	1	\$ 34,80		
27C	00-41173	O-Ring	2	\$ 1,20	70	1100-501	Valve Sleeve	1	\$ 30,00		
28C	IS40S-421	Pressure Valve	2	\$ 13,20	71	00-41111	O-Ring	2	\$ 1,20		
29	IS100-314	Shut Off Stem	1	\$ 14,40	72	00-4158	O-Ring	1	\$ 1,20		
30F	IS150-317	Spring	1	\$ 1,80	73	1100-601	Muffler	1	\$ 7,20		
31	1100-423	Washer	1	\$ 3,60	74	1100-603	Exhaust Deflector	1	\$ 20,40		
32	1100-402	Lock Nut	1	\$ 38,60		1100-604A	Air Inlet 1/4"-19PF		#REF!		
33	1100-306	Lock Nut	1	\$ 42,00	75	1100-604B	Air Inlet 1/4"-19PT	1	\$ 38,40		
34	00-2345	Ball Bearing	1	\$ 57,60		1100-604C	Air Inlet 1/4"-18NPT		#REF!		
35	00-3324	Spring Pin	1	\$ 1,20	76	1100-511	Pin	1	\$ 2,40		
36	1100-302	Cylinder	1	\$ 273,60	77C	1100-453	Spring	1	\$ 1,80		
37	00-3339	Spring Pin	1	\$ 1,20	78C	I40S-454	Block Cap	1	\$ 3,60		
38	1100-303	Rotor	1	\$ 114,00	79C	IS100-456	Spring fixed pin	1	\$ 3,60		
39	1100-304	Rotor Blade	9	\$ 6,00					#REF!		
40	1100-305	Rear Plate	1	\$ 72,00	ø	IS100RK	Repair kit :Index No-		\$ 44,00		
41	00-2358	Ball Bearing	1	\$ 57,60			6(2); 10(2); 12; 13; 16(2);27C(2)		#REF!		
42	00-41124	O-Ring	1	\$ 1,20	ø	IS100SK	Service kit :Index No-		\$ 688,00		
43	IS100-307	Rear Cover	1	\$ 20,40			8;14D;15B(2);17B(2);26F;39(9);50;65;66;		#REF!		
44	00-41116	O-Ring	2	\$ 2,40	ø	I40-451	Impulse Oil (100c.c)		\$ 76,80		

êPulse unit includes: Index No. : 5,6,7,8,9,10,11,12,13,14D,15B,16,17B, 19F,20,21,22D,23,24C,25,26F,27C,28C,32,77C,78C,79C

OSAKA OPC 55012 IMPULSE SOMUN SÖKME





37 39

