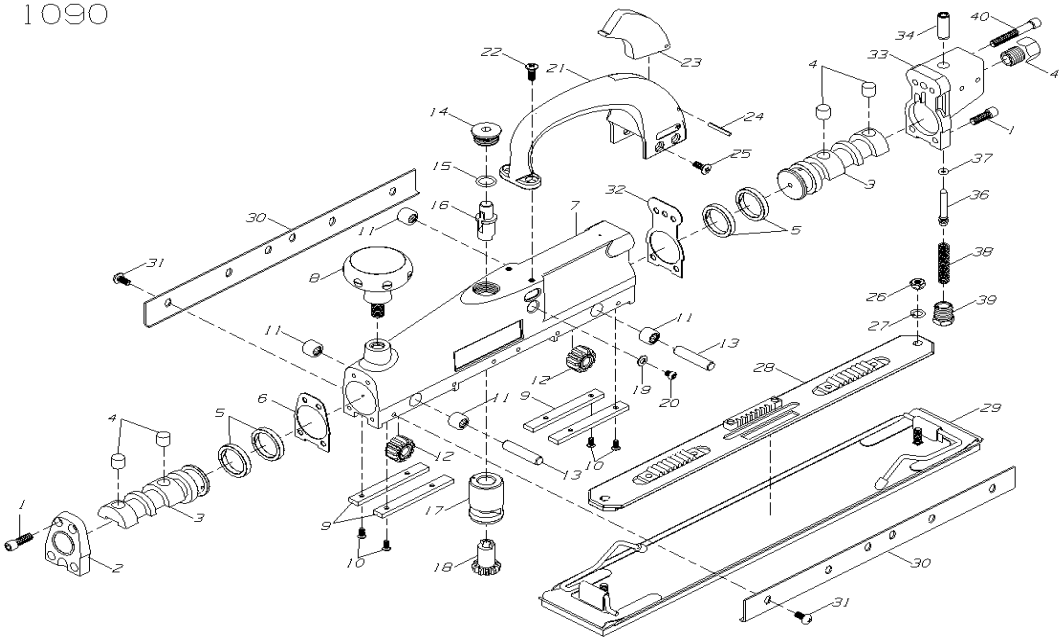


OSAKA OPT 708 HAVALI RENDE

INDEX NO	PARTS NO.	DESCRIPTION	Q'TY	FİYAT
1	108232	Screw	6	\$1,20
2	109002	Front Cap	1	\$8,40
3	109003	Piston	2	\$10,80
4	109004	Plug	4	\$1,20
5	109005	Piston Ring	4	\$3,60
6	109006	Front Gasket	1	\$1,80
7	109007	Body	1	\$72,00
8	109008	Knob	1	\$16,20
9	109009	Wear Plate	4	\$4,80
10	109010	Screw	5	\$1,20
11	KA57	Bearing	4	\$9,00
12	109012	Gear	2	\$3,60
13	109013	Gear Shaft	2	\$2,40
14	109014	Plunger	1	\$4,20
15	O-1100-200	O-Ring	1	\$1,20
16	109016	Adj. Shaft	1	\$9,00
17	109017	Actuator Valve	1	\$11,40
18	109018	Actuator Gear	1	\$4,20
19	109019	Washer	1	\$1,20
20	109020	Screw	1	\$1,20
21	109021	Handle	1	\$20,40
22	109022	Screw	2	\$1,20
23	109023	Trigger	1	\$7,80
24	P-0030-220	Pin	1	\$1,20
25	109025	Screw	4	\$1,20
26	101107	Hex. Nut	2	\$1,20
27	101106	Washer	2	\$1,20
28	109028	Carrier	1	\$19,20
29	109029	Pad Assembly	1	\$27,60
30	109030	Side Strap	2	\$4,80
31	109031	Screw	12	\$1,20
32	109032	Rear Gasket	1	\$1,80
33	109033	Rear Cap	1	\$16,80
34	109034	Bushing	1	\$4,20
36	109036	Valve Pin	1	\$2,40
37	O-0380-190	O-Ring	1	\$1,20
38	109038	Valve Spring	1	\$1,20
39	109039	Valve Plug	1	\$2,40
40	109040	Screw	1	\$1,80
41	109041	Hose Adapter	1	\$4,80

1090



SH1 (DWG) WORK