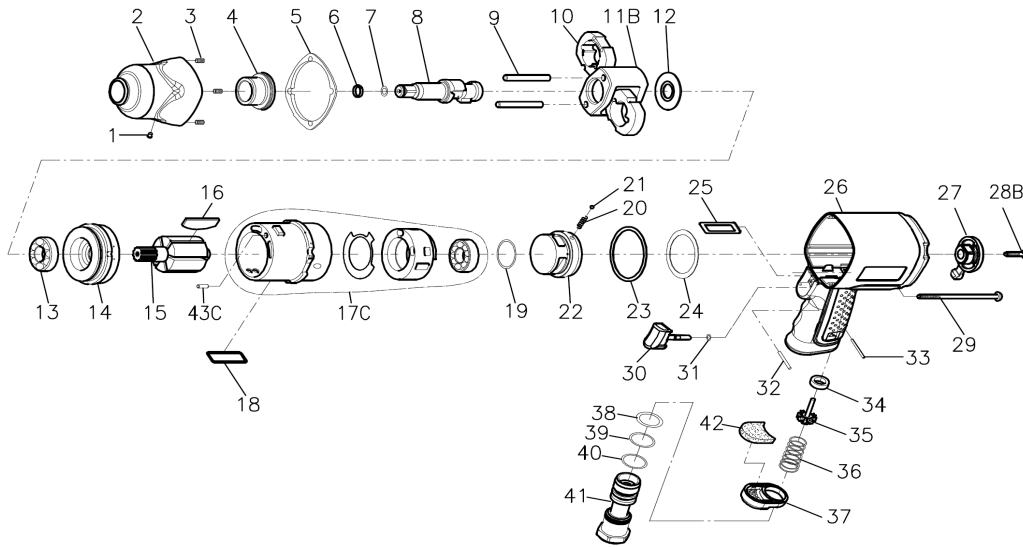


3/8" & 1/2" PROFESSIONAL AIR IMPACT WRENCH



Index No.	Part No.	Description	Q'ty	Unit Price	Index No.	Part No.	Description	Q'ty	Unit Price
				USD					USD
1	00-4603	Grease Fitting	1	1,80 USD	21	00-3805	Steel Ball	1	1,20 USD
2	243V-002	Hammer Case	1	19,20 USD	22	243J-021	Regulator	1	9,60 USD
3	00-4302	Inserts Recoil	4	1,20 USD	23	243F-030	Rear Gasket	1	1,20 USD
4	242-010B	Anvil Bushing	1	6,00 USD	24	243F-031	Washer	1	1,20 USD
5	243H-020	Front Gasket	1	1,20 USD	25	243F-019	Air Channel Gasket	1	1,20 USD
6	242-026	Anvil Collar (3/8" Square)	1	1,20 USD	26	243V-001	Motor Housing	1	42,00 USD
	250-033	Anvil Collar (1/2" Square)		0,00 USD	27	243V-022	Regulator Knob	1	1,80 USD
7	00-4144	O-Ring (3/8" Square)	1	1,20 USD	28B	00-6203	Cap Screw	1	1,20 USD
	00-4103	O-Ring (1/2" Square)		0,00 USD	29	243H-028	Screw	4	1,20 USD
8	243F-SH-011NA3	Anvil (3/8" Square)	1	27,60 USD	30	305H-024	Trigger	1	1,20 USD
	243F-SH-011NA4	Anvil (1/2" Square)		0,00 USD	31	00-4101	O-Ring	1	1,20 USD
9	243F-SH-016	Hammer Pin	2	1,20 USD	32	00-3335	Spring Pin	1	1,20 USD
10	243V-017	Hammer	2	13,20 USD	33	00-3309	Spring Pin	1	1,20 USD
11B	243F-SH-012-B	Hammer Cage	1	28,80 USD	34	306-027-B	Bushing	1	1,80 USD
12	243-020	Rear Washer	1	1,20 USD	35	306-026	Valve Stem	1	2,40 USD
13	00-2306	Ball Bearing	1	5,40 USD	36	243H-023	Spring	1	1,20 USD
14	243F-005	Front End Plate	1	9,60 USD	37	305V-021	Exhaust Deflector	1	1,20 USD
15	243F-007	Rotor	1	19,20 USD	38	00-4126	O-Ring	1	1,20 USD
16	243F-008D	Rotor Blade	6	1,80 USD	39	00-4143	O-Ring	1	1,20 USD
17C	243F-006B	Cylinder	1	85,00 USD	40	00-4173	O-Ring	1	1,20 USD
	243F-033-B	Valve Sleeve Gasket	1	0,00 USD	41	305J-025A	Air Inlet (1/4" PF)	1	10,80 USD
	243F-029	Valve Sleeve	1	0,00 USD		305J-025B	Air Inlet (1/4" PT)	1	0,00 USD
	00-2326	Ball Bearing	1	0,00 USD		305J-025C	Air Inlet (1/4" NPT)	1	0,00 USD
18	243F-041	Square Ring	1	1,20 USD	42	305V-027	Non Woven	1	1,20 USD
19	00-4158	O-Ring	1	1,20 USD	43C	00-3435	Pin	1	1,20 USD
20	305F-034	Spring	1	1,20 USD					