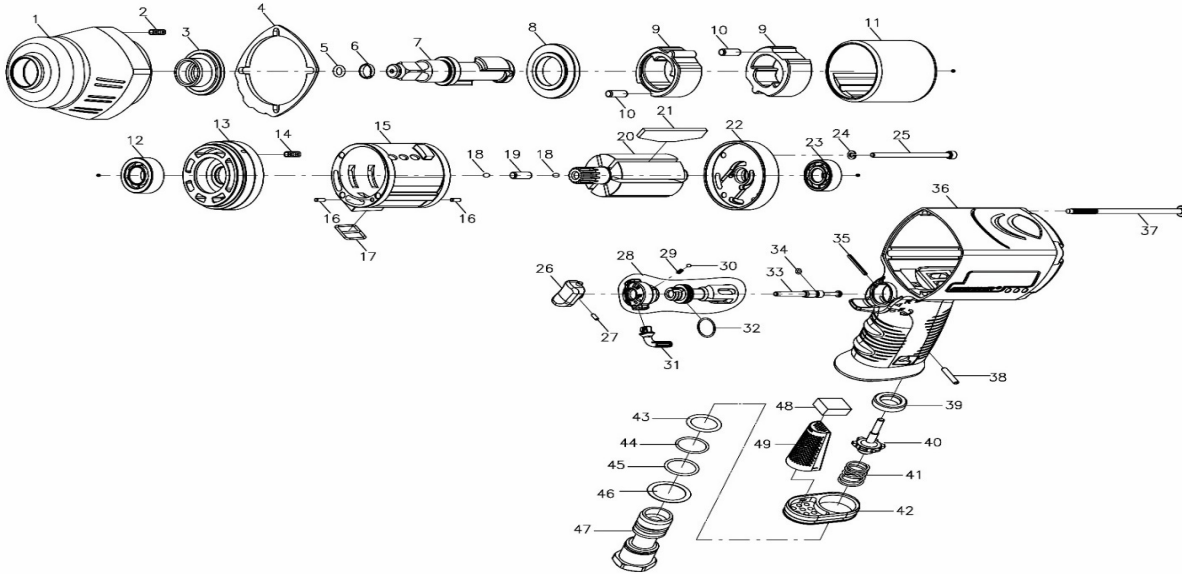


OPC 51212 MCN 1/2" AIR IMPACT WRENCH



| No. | Part No. | Description | Q'ty | USD | | No. | Part No. | Description | Q'ty | USD | |
|-----|-------------|--------------------|------|---------|--|-----|-----------|----------------------------|------|---------|--|
| | | | | | | | | | | | |
| 1 | 2437-002 | Hammer Case | 1 | \$16,20 | | 27 | 00-3325 | Spring Pin(ψ2×6L) | 1 | \$1,20 | |
| 2 | 00-4302 | Helicoil(M5x1.5D) | 4 | \$1,20 | | 28 | 301Q-034B | F/R Lever | 1 | #VALUE! | |
| 3 | 301Q-010 | Anvil Bushing | 1 | \$7,20 | | | 301B-021 | R/F Valve(incl. F/R lever) | 1 | \$15,00 | |
| 4 | 301Q-020 | Front Gasket | 1 | \$1,20 | | 29 | 305Y-027 | Spring | 1 | \$1,20 | |
| 5 | 00-4103 | O-Ring(P7) | 1 | \$1,20 | | 30 | 00-3816 | Steel Ball(ψ2.5) | 1 | \$1,20 | |
| 6 | 250-033 | Anvil Collar | 1 | \$0,60 | | 31 | 243Q-035B | Tab | 1 | \$1,20 | |
| 7 | 301Q-011NA4 | Anvil | 1 | \$29,40 | | 32 | 00-41175 | O-Ring(ψ13×ψ1.5) | 1 | \$1,20 | |
| 8 | 301Q-019 | Hammer Cage Cover | 1 | \$6,00 | | 33 | 301Q-029 | Trigger pin | 1 | \$2,40 | |
| 9 | 301Q-017 | Hammer | 2 | \$13,20 | | 34 | 00-4190 | O-Ring(ψ4×ψ1) | 1 | \$1,20 | |
| 10 | 00-3481 | Pin(ψ7×15.6L) | 2 | \$1,20 | | 35 | 00-3351 | Spring Pin(ψ2×24L) | 1 | \$1,20 | |
| 11 | 301Q-012 | Hammer Cage | 1 | \$24,00 | | 36 | 2437-001 | Motor Housing | 1 | \$54,00 | |
| 12 | 00-2313 | Ball Bearing(6002) | 1 | \$2,40 | | 37 | 301Q-028 | Screw | 4 | \$1,20 | |
| 13 | 301Q-005 | Front End Plate | 1 | \$9,00 | | 38 | 00-3308 | Spring Pin(ψ3×18L) | 1 | \$0,60 | |
| 14 | 00-4305 | Helicoil(M4x1.5D) | 3 | \$1,20 | | 39 | 306-027-B | Bushing | 1 | \$2,40 | |
| 15 | 301Q-006 | Cylinder | 1 | \$46,20 | | 40 | 306-026B | Valve Stem | 1 | \$2,40 | |
| 16 | 00-3419 | Pin(ψ3×6L) | 2 | \$1,20 | | 41 | 305F-026B | Spring | 1 | \$1,20 | |
| 17 | 301B-030 | Square Ring | 1 | \$1,20 | | 42 | 305-021 | Exhaust Deflector | 1 | \$1,20 | |
| 18 | 00-3824 | Steel Ball(ψ4) | 2 | \$1,20 | | 43 | 00-4126 | O-Ring (P16) | 1 | \$1,20 | |
| 19 | 00-3480 | Pin(ψ6×10L) | 1 | \$1,20 | | 44 | 00-4143 | O-Ring (Ø17×Ø1.5) | 1 | \$1,20 | |
| 20 | 301Q-007 | Rotor | 1 | \$17,40 | | 45 | 00-4121 | O-Ring (Ø15×Ø1.5) | 1 | \$1,20 | |
| 21 | 305N-008D | Rotor Blade | 6 | \$1,80 | | 46 | 305F-032 | Washer | 1 | \$1,20 | |
| 22 | 301B-009 | Rear End Plate | 1 | \$6,60 | | 47 | | | 1 | #VALUE! | |
| 23 | 00-2305 | Ball Bearing(6001) | 1 | \$4,80 | | | 305J-025A | Air Inlet (1/4"PF) | | \$8,40 | |
| 24 | 00-1809 | Spring Washer(M4) | 3 | \$1,20 | | | | | | #VALUE! | |
| 25 | 00-0162 | Cap Screw(M4x57L) | 3 | \$1,20 | | 48 | 306-035 | Muffler | 1 | \$1,20 | |
| 26 | 243Q-023 | Trigger | 1 | \$2,40 | | 49 | 305F-042 | Muffler | 1 | \$1,80 | |