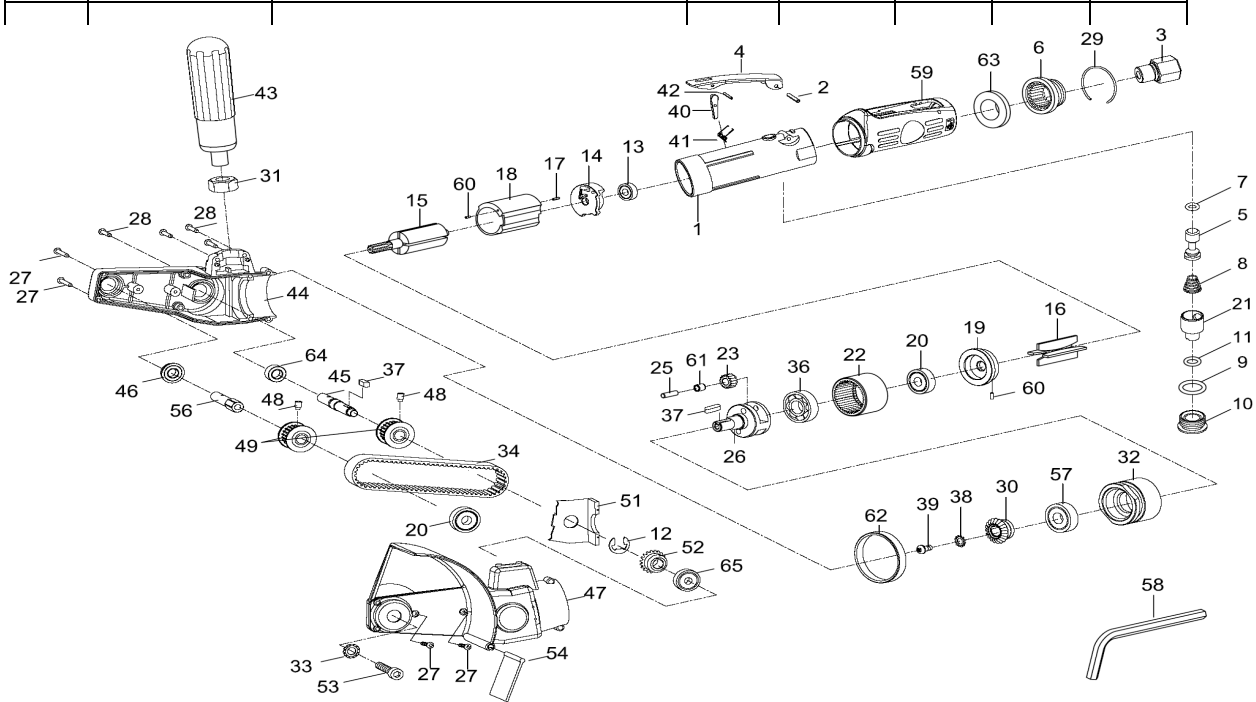


OSAKA OPC 65110-C YÜZEY TEMİZLEME

NO	PARÇA NO	TANIM	ADET	FİYAT(US\$)
1	301101	Motor Housing	1	\$ 26,40
2	30102	Spring Pin (3*24L)	1	\$ 1,20
3	51203-14	Air Inlet (PF19)	1	\$ 4,20
4	6K-301104S	Throttle Lever assy (w/#40,41,42)	1	\$ 6,60
5	6K-301105S	Valve Stem w/#7o-ring	1	\$ 5,40
6	51206	Exhaust Deflector	1	\$ 1,92
7	70107	O-Ring (4.8*1.9)	1	\$ 1,20
8	51208	Spring	1	\$ 1,20
9	70123	O-Ring (11.8*2.4)	1	\$ 1,20
10	51210-11SUB	Throttle Valve Plug W/ #9 O-Ring)	1	\$ 4,20
11	40305	O-Ring (4.8*1.9)	1	\$ 1,20
12	690112	E-Ring (ETW-8)	1	\$ 1,20
13	052213	Ball Bearing (696ZZ)	1	\$ 6,00
14	301114	End Plate	1	\$ 6,00
15	95-301115	Rotor	1	\$ 12,00
16	512216	Rotor Blades(4)	4	\$ 1,80
17	30117	Spring Pin (1.5*6L)	1	\$ 1,20
18	512218	Cylinder	1	\$ 8,40
19	95-301119	Front End Plate	1	\$ 10,20
20	030120	Ball Bearing(2) (608ZZ)	2	\$ 10,80
21	51221-11SUB	Air Regulator w/ #11 O-Ring	1	\$ 3,60
22	70922	Internal Gear	1	\$ 10,20
23	690146	Planet Gear(2)	2	\$ 13,20
25	746425	Pin(2) (4*14.8L)	2	\$ 1,92
26	690126	Planet cage	1	\$ 33,60
27	690127	Tapping Screw(4) (TS 2.9*20L)	4	\$ 4,20
28	690128	Tapping Screw(8) (TS 2.9*16L)	8	\$ 7,80
29	51229	Retaining Ring	1	\$ 1,20
30	690130	Bevell Gear	1	\$ 25,20
31	690131	Nut	1	\$ 1,20
32	690132	Housing Cap	1	\$ 14,40
33	690133	Toothed Washer	1	\$ 1,20
34	690134	Toothed Belt	1	\$ 57,60
36	040313	Ball Bearing (6001Z)	1	\$ 12,00
37	690121	Key (3*10)	2	\$ 3,00
38	690111	Toothed Washer (BW-4.5)	1	\$ 1,20
39	690110	Screw	4	\$ 4,20
40	522239	safety Bar	1	\$ 1,20



Index No.	Parts No.	Description	Index No.	Parts No.	Description
-----------	-----------	-------------	-----------	-----------	-------------

