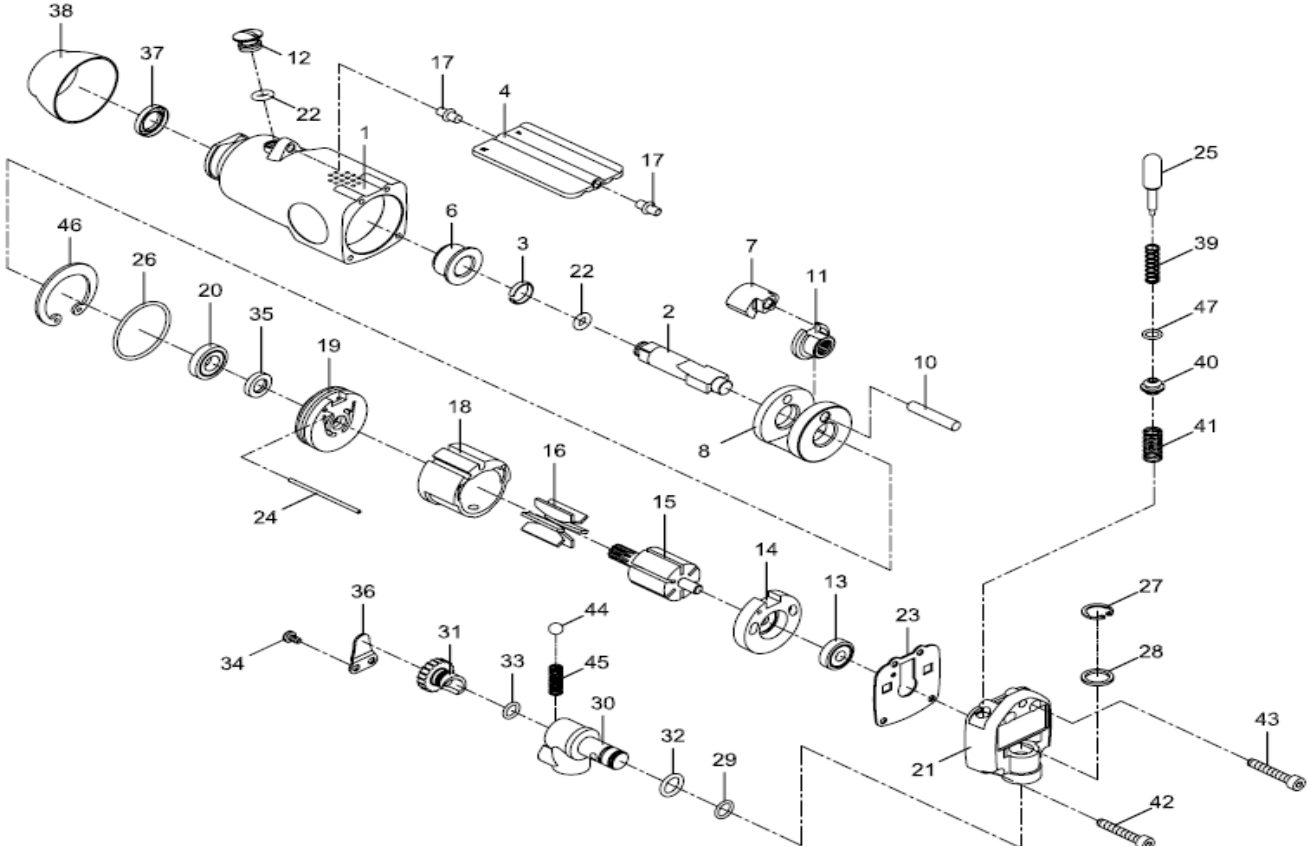


OPT 375 3/8" SOMUN SÖKME

NO.	PARÇA NO	AÇIKLAMA	ADET	FİYAT	NO.	PARÇA NO	AÇIKLAMA	ADET	FİYAT
1	40101	Motor Housing	1	15,60 USD	26	40126	O-Ring (S36)	1	1,44 USD
2	40102	Anvil	1	9,60 USD	27	40128	Snap Ring	1	1,44 USD
3	40103	Retaining Ring	1	1,20 USD	28	40129	Washer	1	1,44 USD
4	40104	Throttle Lever	1	2,40 USD	29	40130	O-Ring	1	1,44 USD
6	40106	Anvil Bushing	1	1,20 USD	30	40131	Air Inlet Block	1	1,44 USD
7	40107	Hammer	1	5,40 USD	31	40132	Regulator	1	1,44 USD
8	40108	Hammer Cage	1	12,00 USD	32	40133	O-Ring (P11)	1	1,44 USD
10	40110	Hammer Pin (φ6*32L)	1	1,20 USD	33	40134	O-Ring	1	1,44 USD
11	40111	Cam	1	5,40 USD	34	40135	Screw	2	2,88 USD
12	40112	Oil Screw	1	1,20 USD	35	40136	Oil Seal	1	1,44 USD
13	030113	Ball bearing (626ZZ)	1	6,00 USD	36	40137	Retainer Plate	1	1,44 USD
14	40114	Rear End Plate	1	4,80 USD	37	40138	Oil Seal	1	1,44 USD
15	40115	Rotor	1	12,00 USD	38	40139	Rubber Nose Guard	1	1,44 USD
16	40116	Rotor Blade	6	1,20 USD	39	40140	Plunger Spring	2	2,88 USD
17	40117	Throttle Pin	2	0,60 USD	40	40141-12	Valve Seat	2	2,88 USD
18	40118	Cylinder	1	5,40 USD	41	40142	Valve Spring	2	2,88 USD
19	40119	Front End Plate	1	6,00 USD	42	40143	Short Cap Screw	2	2,88 USD
20	040120	Ball Bearing (EE3)	1	6,60 USD	43	40144	Long Cap Screw	2	2,88 USD
21	40121	Back Cap	1	7,80 USD	44	40145	Steel Ball	1	1,44 USD
22	30107	O-Ring (P4)	2	1,20 USD	45	40146	Spring	1	1,44 USD
23	40123	Back Cap Gasket	1	1,20 USD	46	40149	Snap Ring	1	1,44 USD
24	40124	Motor Pin	1	0,60 USD	47	AS00447	O-Ring	2	2,88 USD
25	40125-12	Plunger	2	0,60 USD					

OPT 375 3/8" SOMUN SÖKME



YURTIÇI
c2NnMT