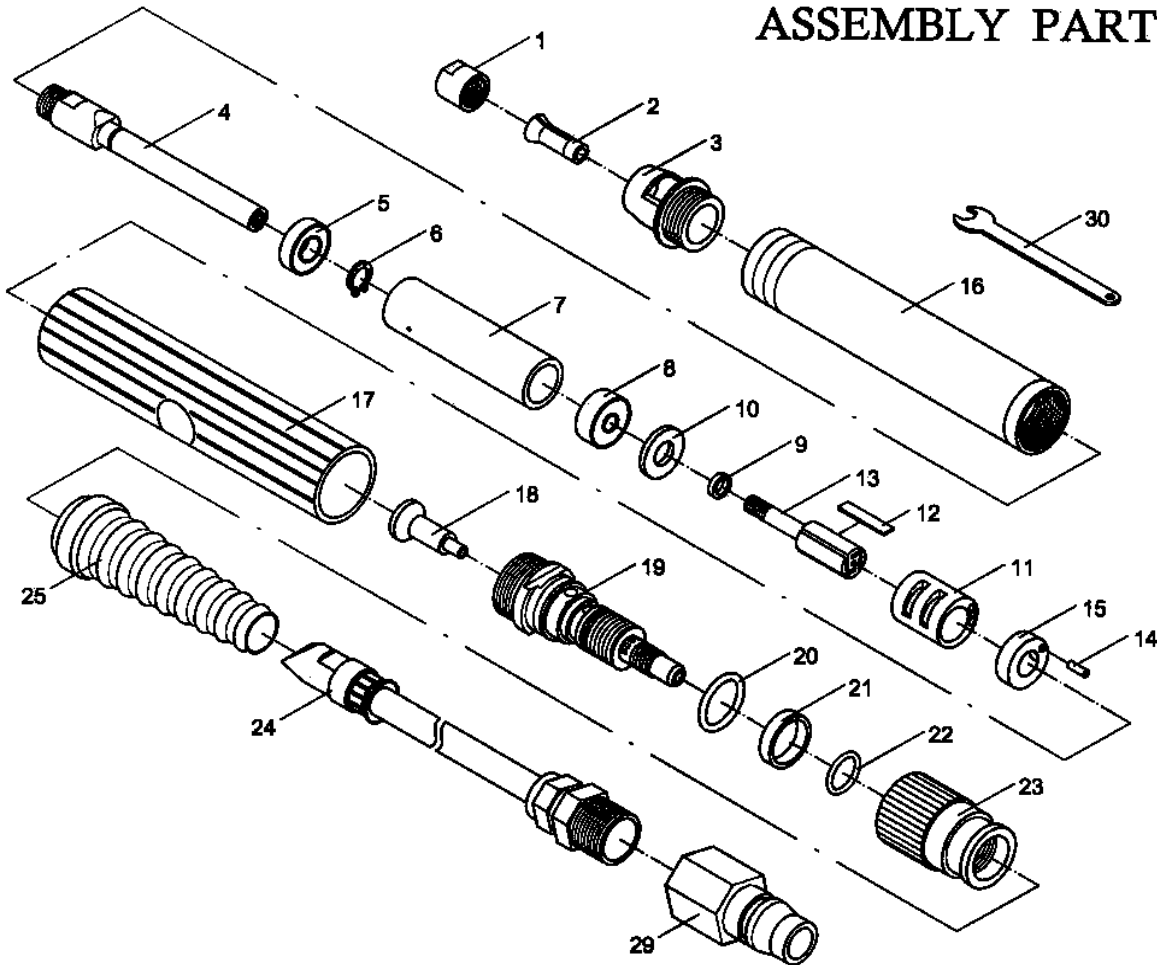


GP-380 AIR GRINDER ASSEMBLY PARTS



OPT-P 1505

USD			USD		
1	Collet Cover	\$7,20	15	Rear Washer	\$9,60
2	Collet	\$7,80	16	Body	\$21,00
3	Front Cover	\$7,80	17	Rubber Cap	\$9,00
4	Main Shaft	\$43,80	18	Adapter	\$4,80
5	Bearing 686 zz	\$43,80	19	Valve Body	\$24,00
6	C Type Snap Ring	\$42,60	20	The 1 ST O Type Ring	\$1,20
7	Spacing Pipe	\$10,80	21	Polyacetal Ring	\$1,20
8	Bearing 624rulman	\$42,60	22	The 2 nd O Type Ring	\$1,20
9	Washer	\$4,80	23	Switch	\$16,80
10	Front Washer	\$9,00	24	Air Hose	\$24,60
11	Cylinder	\$28,80	25	Muffer Pipe	\$4,20
12	Blade	\$1,80	29	Wind Pipe Adapter	\$4,20
13	Roller	\$12,60	30	Spanner #8mm	\$3,00
14	Spring Pin	\$1,20			