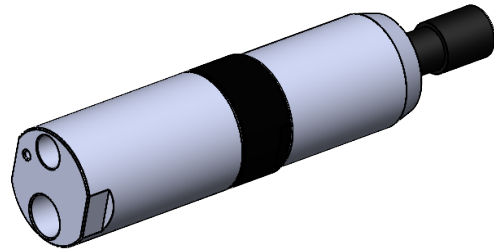


Model No: OSM 55-300RC

Description: OSAMoto Air Motor
550-Watt 3000-RPM
Clockwise Rotation
with Clutch

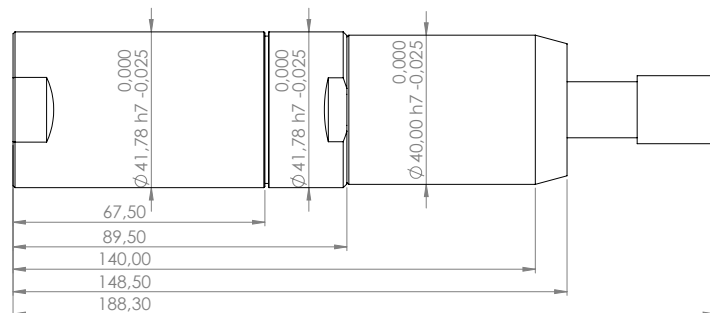
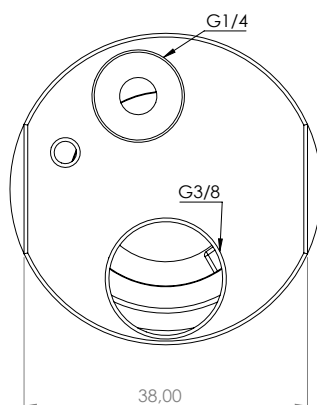


Technical Specifications

Length	: 188,30 mm	Max. Power	: 550 Watt
Diameter	: 41,78 mm	Free Speed	: 3000 RPM
Weight	: 0,84 kg	Stall Torque	: 6,50 Nm
		Working Speed	: 1500 RPM
		Working Torque	: 3,25 Nm
		Air Consumption at Free Speed	: 800 l/min

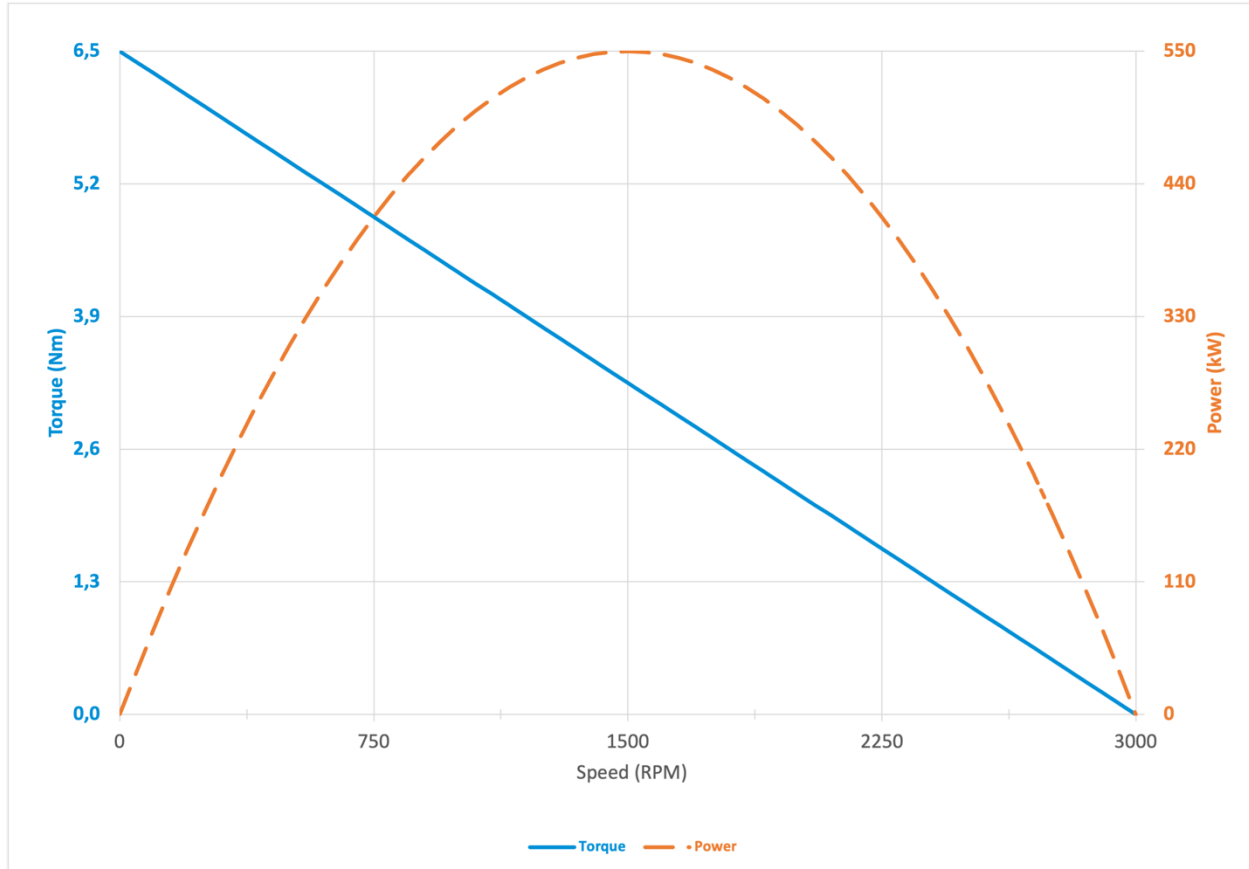
* All technical values are based on a working pressure of 6.3 bar and with air with oil. For oil-free applications there might be a performance decrease of 10 - 15%.

Dimensions



Produced by

Performance Diagram



3D Drawings



Scan the QR code or visit the link below for 3D drawings of the air motor.

<https://karacamakina.com.tr/en/osm-55-300>