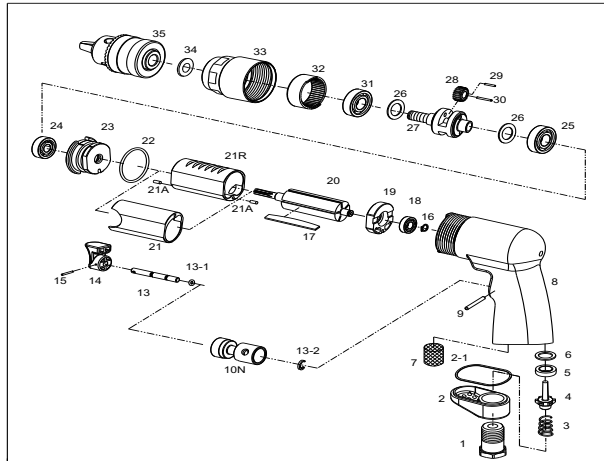


OPC 20303-32

| FIG No.                           | P/N      | DESCRIPTION               | QTY | USD           |
|-----------------------------------|----------|---------------------------|-----|---------------|
| 1                                 | 389501   | AIR INLET                 | 1   | \$4.20        |
| 2                                 | 389502   | DEFLECTOR                 | 1   | \$4.20        |
| 2-1                               | 389502-1 | GASKET                    | 1   | \$1.20        |
| 3                                 | 389503   | SPRING                    | 1   | \$1.20        |
| 4                                 | 328804V  | VALVE                     | 1   | \$2.40        |
| 5                                 | 328835   | VALVE SEAT                | 1   | \$2.40        |
| 6                                 | 328825S  | SPACER                    | 1   | \$1.20        |
| 7                                 | ZZ389507 | SILENCER                  | 1   | \$1.20        |
| 8                                 | 389508   | HOUSING                   | 1   | \$54.00       |
| 9                                 | 389509   | DOWEL PIN                 | 1   | \$1.20        |
| 10                                | 389510N  | VALVE BUSHING             | 1   | \$16.80       |
| 13                                | 389513   | VALVE STEM                | 1   | \$3.00        |
| 13-1                              | 638013   | O-RING                    | 1   | \$1.20        |
| 13-2                              | 389513-2 | RETAINER                  | 1   | \$1.20        |
| 14                                | 389514   | TRIGGER                   | 1   | \$9.00        |
| 15                                | 589039   | SPRING PIN                | 1   | \$1.20        |
| 16                                | 389516   | RETAINER                  | 1   | \$1.20        |
| 17                                | 389517   | ROTOR BLADE               | 5   | \$2.40        |
| 18                                | R4ZZ     | BALL BEARING              | 1   | \$6.00        |
| 19                                | 389519   | REAR PLATE                | 1   | \$18.60       |
| 20                                | 389520   | ROTOR                     | 1   | \$26.40       |
| 21                                | 389521N  | CYLINDER                  | 1   | \$27.60       |
| 21A                               | 389521A  | PIN                       | 2   | \$0.60        |
| 22                                | 389522   | O-RING                    | 1   | \$1.20        |
| 23                                | 389523   | FRONT PLATE               | 1   | \$19.20       |
| 24                                | B608ZZ   | BALL BEARING              | 1   | \$5.40        |
| 25                                | EE4      | BALL BEARING              | 1   | \$6.60        |
| 26                                | 389526   | WASHER                    | 2   | \$1.20        |
| 29                                | 389529   | NEEDLE                    | 18  | \$0.60        |
| 30                                | 389530   | PIN                       | 2   | \$1.20        |
| 31                                | R8LU     | BALL BEARING              | 1   | \$6.60        |
| 32                                | 389532   | RING GEAR                 | 1   | \$21.60       |
| 33                                | 389533   | GEAR CASE                 | 1   | \$27.00       |
| 34                                | 389737   | CHUCK SPACER              | 1   | \$1.20        |
| 35                                | 11503-K  | 3/8" INDUSTRY CHUCK & KEY | 1   | \$48.00       |
| <b>** FOR 2600 RPM VERSION **</b> |          |                           |     | <b>\$0.00</b> |
| 27                                | 389527   | GEAR CAGE                 | 1   | \$28.80       |
| 28                                | 389528   | PINON GEAR                | 2   | \$9.60        |
| <b>** FOR 3200 RPM VERSION **</b> |          |                           |     | <b>\$0.00</b> |
| 27                                | 389635   | GEAR CAGE                 | 1   | \$28.80       |
| 28                                | 389628   | PINON GEAR                | 2   | \$9.60        |

3/8" NON-REVERSIBLE DRILL



| FIG NO. | PART NO. | DESCRIPTION   | QTY | FIG NO.                           | PART NO. | DESCRIPTION               | QTY |
|---------|----------|---------------|-----|-----------------------------------|----------|---------------------------|-----|
| 1       | 389501   | Air Inlet     | 1   | 21A                               | 389521A  | Pin                       | 2   |
| 2       | 389502   | Deflector     | 1   | 22                                | 389522   | O-Ring                    | 1   |
| 2-1     | 389502-1 | Gasket        | 1   | 23                                | 389523   | Front Plate               | 1   |
| 3       | 389503   | Spring        | 1   | 24                                | B608ZZ   | Ball Bearing              | 1   |
| 4       | 328804V  | Valve         | 1   | 25                                | EE4      | Ball Bearing              | 1   |
| 5       | 328835   | Valve Seat    | 1   | 26                                | 389526   | Washer                    | 2   |
| 6       | 328825S  | Spacer        | 1   | 29                                | 389529   | Needle                    | 18  |
| 7       | 389507   | Silencer      | 1   | 30                                | 389530   | Pin                       | 2   |
| 8       | 389508   | Housing       | 1   | 31                                | R8LU     | Ball Bearing              | 1   |
| 9       | 389509   | Dowel Pin     | 1   | 32                                | 389532   | Ring Gear                 | 1   |
| 10N     | 389510N  | Valve Bushing | 1   | 33                                | 389533   | Gear Case                 | 1   |
| 13      | 389513   | Valve Stem    | 1   | 34                                | 389737   | Chuck Washer              | 1   |
| 13-1    | 638013   | O-Ring        | 1   | 35                                | 11503-K  | 3/8" Industry Chuck & Key | 1   |
| 13-2    | 389513-2 | Retainer      | 1   | <b>** FOR 2600 RPM VERSION **</b> |          |                           |     |
| 14      | 389514   | Trigger       | 1   | 27                                | 389527   | Gear Cage                 | 1   |
| 15      | 589039   | Spring Pin    | 1   | 28                                | 389528   | Pinon Gear                | 2   |
| 16      | 389516   | Retainer      | 1   | <b>** FOR 3200 RPM VERSION **</b> |          |                           |     |
| 17      | 389517   | Rotor Blades  | 5   | 27                                | 389635   | Gear Cage                 | 1   |
| 18      | R4ZZ     | Ball Bearing  | 1   | 28                                | 389628   | Pinon Gear                | 2   |
| 19      | 389519   | Rear Plate    | 1   |                                   |          |                           |     |
| 20      | 389520   | Rotor         | 1   |                                   |          |                           |     |
| 21      | 389521N  | Cylinder      | 1   |                                   |          |                           |     |