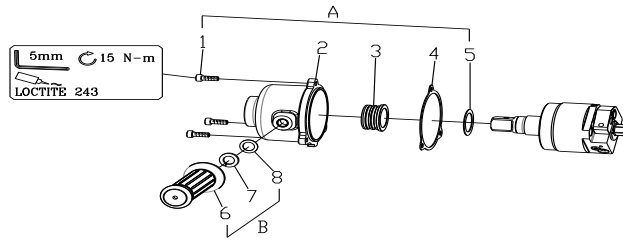


OPC 53230

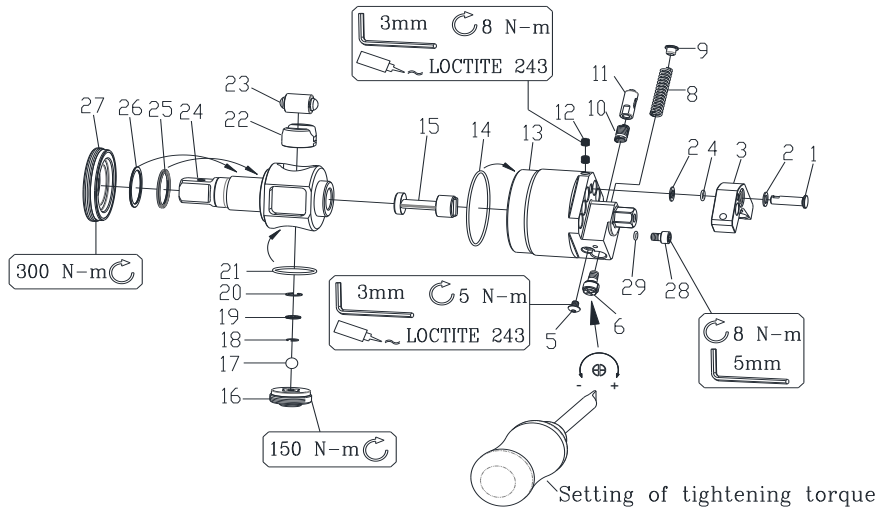
Pulse unit Casing _ I



Index No	Part No	Description	Q,ty	Remark	
A	1	Cap Screw	3	M6x18L	\$ 1,20
	2	Pulse Unit Housing	1		\$ 200,40
	3	Bushing	1		\$ 99,60
	4	Gasket	1		\$ 6,00
	5	Washer	1	Axial gap: 0.8 , 0.9 , 1.0 mm	\$ 10,80
B	6	Side Handle	1		\$ 70,80
	7	Spring Washer	1	M12	\$ 1,20
	8	Washer	1	∅20x ∅13x1t	\$ 1,20

Pulse unit _ II

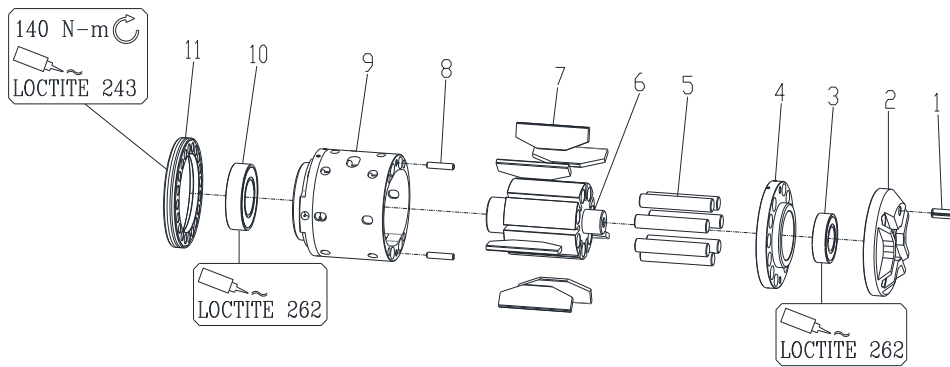
Ordering No. IS200-400ASM



Index No	Part No	Description	Q,ty	Remark	
Ordering No.	IS200-400ASM	Pulse Unit	1 set		\$ 3.552,00
1	IS200-474	Pin	1		\$ 32,40
2	IS200-475	Washer	2		\$ 6,00
3	IS200-473	Inertia Block	1		\$ 266,40
4	00-41243	O-Ring	1	∅ 6 x ∅ 1.5	\$ 1,80
5	00-1304	Round Head Bolt	1	M5x6L	\$ 1,20
6	IS200-478	Adjusting Screw	1		\$ 72,00
8	IS200-481	Adjusting Spring	1		\$ 8,40
9	IS200-477	Spring Setter	1		\$ 9,00
10	IS200-484	Spring	1		\$ 4,80
11	IS200-482	Pin	1		\$ 34,80
12	IS200-493	Set Screw	2		\$ 16,20
13	IS200-404	Pulse Cylinder	1		\$ 1.230,00
14	00-41216	O-Ring	1	AS036 / ∅ 60 x ∅ 1.78	\$ 3,00

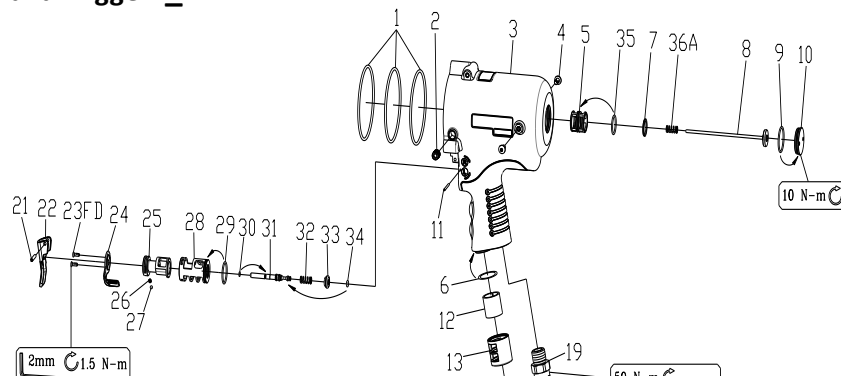
15	IS200-479	Roll Shaft	1		\$ 105,60
16	IS200-476	Locking Nut	1		\$ 104,40
17	00-3832	Steel Ball	1	∅ 9	\$ 4,80
18	I200-494	Collar	1		\$ 4,80
19	I200-469	Washer	1		\$ 48,00
20	00-3118	Snap Ring	1	R12	\$ 1,20
21	00-41136	O-Ring	1	AS25 / ∅ 29.87 x ∅ 1.78	\$ 1,20
22	I200-467	Piston	1		\$ 278,40
23	I200-468	Roller	1		\$ 32,40
24	IS200-405	Anvil	1		\$ 912,00
25	00-2606	X-Ring	1	∅ 28.17 x ∅ 3.53	\$ 25,20
26	I200-409	Back Up Ring	1		\$ 10,20
27	I200-402	Nut	1		\$ 118,80
28	00-0147	Cap Screw	1	M6x8L	\$ 1,20
29	00-41179	O-Ring	1	∅ 4.5x ∅ 1.5	\$ 1,20

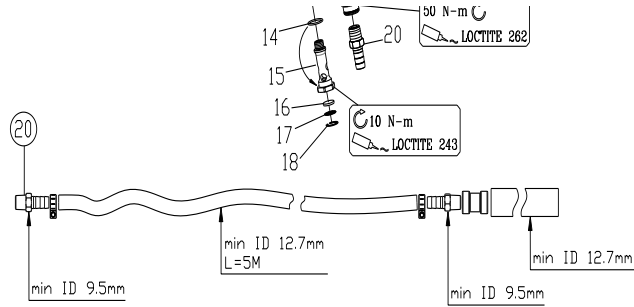
Motor Unit _ III



Index No	Part No	Description	Q.ty	Remark	
1	00-3370	Spring Pin	1	∅ 6 x16L	\$ 1,20
2	I200-310	Air Inlet Plate	1		\$ 162,00
3	00-2385	Ball Bearing	1	6003 / ∅ 17 x ∅ 35 x10	\$ 32,40
4	I200-305	Rear Plate	1		\$ 403,20
5	I200-322	Roll Plug	7		\$ 18,00
6	I200-303	Rotor	1		\$ 439,20
7	I200-304	Rotor Blade	7		\$ 36,00
8	00-3330	Spring Pin	2	∅ 4 x20L	\$ 4,20
9	I200-302	Cylinder	1		\$ 824,40
10	00-2386	Ball Bearing	1	6005 / ∅ 25x ∅ 47 x12	\$ 46,80
11	I200-306	Nut	1		\$ 132,00

Housing Unit and Valve and Trigger _ IV





Index No	Part No	Description	Q,ty	Remark	
1	00-41218	O-Ring	3	AS151 / Ø75.87x Ø 2.62	\$ 5,40
2	00-0616	Set Screw	1	M10x8L	\$ 1,80
3	I200-101	Housing	1		\$ 813,60
4	00-1304	Round Head Bolt	2	M5x6L	\$ 1,20
5	IS200-518	Seat	1		\$ 66,00
6	00-41145	O-Ring	1	Ø 18x Ø 1.5	\$ 1,20
7	IS200-312	Valve Washer	1		\$ 9,00
8	IS200-314	Valve	1		\$ 72,00
9	00-41128	O-Ring	1	Ø25x Ø 1.5	\$ 1,80
10	I200-104	Nut	1		\$ 15,00
11	00-3461	Pin	1	Ø2x30L	\$ 3,00
12	I200-601	Muffler	1		\$ 15,00
13	I200-603	Exhaust Deflector	1		\$ 51,60
14	00-41111	O-Ring	1	Ø 16x Ø 1.5	\$ 1,20
15	I200-610	Air Inlet Bushing	1		\$ 48,00
16	I200-605	Muffler	1		\$ 1,20
17	I200-606	Net	1		\$ 4,80
18	00-3103	Snap Ring	1	R16	\$ 1,20
	I200-604A	Air Inlet		3/8"PF-19	\$ 0,00
19	I200-604B	Air Inlet	1	3/8"PT-19	\$ 26,40
	I200-604C	Air Inlet		3/8"NPT-18	\$ 0,00
20	277-033	Nipple	1	3/8"Px1/2	\$ 4,20
21	00-3308	Spring Pin	1	Ø3x18L	\$ 1,20
22	I150-504	Trigger	1		\$ 8,40
23FD	00-0512	Screw	2	M3x8L	\$ 1,20
24	I150-503	Regulator Knob	1		\$ 21,00
25	IS200-502	F/R Valve	1		\$ 51,60
26	I100-506	Spring	1		\$ 1,80
27	00-3813	Steel Ball	1	Ø 1/8"	\$ 0,60
28	I200-501	Valve Sleeve	1		\$ 70,80
29	00-41146	O-Ring	1	Ø 21x Ø 1.5	\$ 1,80
30	00-4101	O-Ring	1	Ø 3x Ø 1	\$ 1,20
31	IS200-505	Valve Stem	1		\$ 24,00
32	I150-507	Spring	1		\$ 1,80
33	I150-508	Bushing	1		\$ 7,20
34	00-41199	O-Ring	1	Ø 1.8x Ø 1.9	\$ 1,20
35	00-41244	O-Ring	1	Ø 19x Ø 1.5	\$ 1,80
36A	IS200-317	Spring	1		\$ 1,80
					\$ 0,00
					\$ 0,00
Repair Kit – Pulse unit Casing / Pulse unit / Motor Unit / Housing Unit and Valve and Trigger					\$ 0,00
Ordering No. IS200RK					\$ 0,00
Index No	Part No	Description	Q,ty	Remark	\$ 0,00
1	I200-205	Gasket	1		\$ 44,40
2	00-41216	O-Ring	1	AS036 / Ø 60 x Ø 1.78	
3	00-2606	X-Ring	1	Ø 28.17 x Ø 3.53	

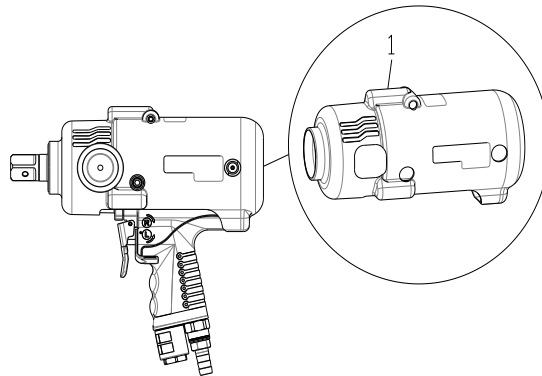
4	I200-409	Back Up Ring	1	
5	00-41179	O-Ring	1	Ø 4.5x Ø 1.5

Service Kit – Pulse unit Casing / Pulse unit / Motor Unit / Housing Unit and Valve and Trigger

Ordering No. IS200SK

Index No	Part No	Description	Q,ty	Remark	
Ordering No	IS200SK	Service Kit			\$ 768,00
1	IS200-473	Inertia Block	1	Pulse Unit	
2	00-41243	O-Ring	1	Ø 6 x Ø 1.5 / Pulse Unit	
3	00-41136	O-Ring	1	AS25 / Ø 29.87 x Ø 1.78 / Pulse Unit	
4	I200-310	Air Inlet Plate	1	Motor Unit	
5	I200-304	Rotor Blade	7	Motor Unit	
6	00-2386	Ball Bearing	1	6005 / Ø 25x Ø 47 x12 / Motor Unit	
7	00-41218	O-Ring	3	AS151 / Ø75.87x Ø 2.62 / Housing Unit and Valve and Trigger	
8	00-41145	O-Ring	1	Ø 18x Ø 1.5 / Housing Unit and Valve and Trigger	
9	00-41128	O-Ring	1	Ø25x Ø 1.5 / Housing Unit and Valve and Trigger	
10	I200-601	Muffler	1	Housing Unit and Valve and Trigger	
11	00-41111	O-Ring	1	Ø 16x Ø 1.5 / Housing Unit and Valve and Trigger	
12	I200-605	Muffler	1	Housing Unit and Valve and Trigger	
13	00-41146	O-Ring	1	Ø 21x Ø 1.5 / Housing Unit and Valve and Trigger	
14	00-4101	O-Ring	1	Ø 3x Ø 1 / Housing Unit and Valve and Trigger	
15	00-41199	O-Ring	1	Ø 1.8x Ø 1.9 / Housing Unit and Valve and Trigger	
16A	IS200-317	Spring	1	Housing Unit and Valve and Trigger	
17	00-41244	O-Ring	1	Ø 19x Ø 1.5 / Housing Unit and Valve and Trigger	

Service Tools



Index No	Part No	Description	Q,ty	Remark	
1	I200-109	Tool Cover	1		\$ 112,80
2B	01-0507C	Impulse Oil	1000 ml		\$ 432,00