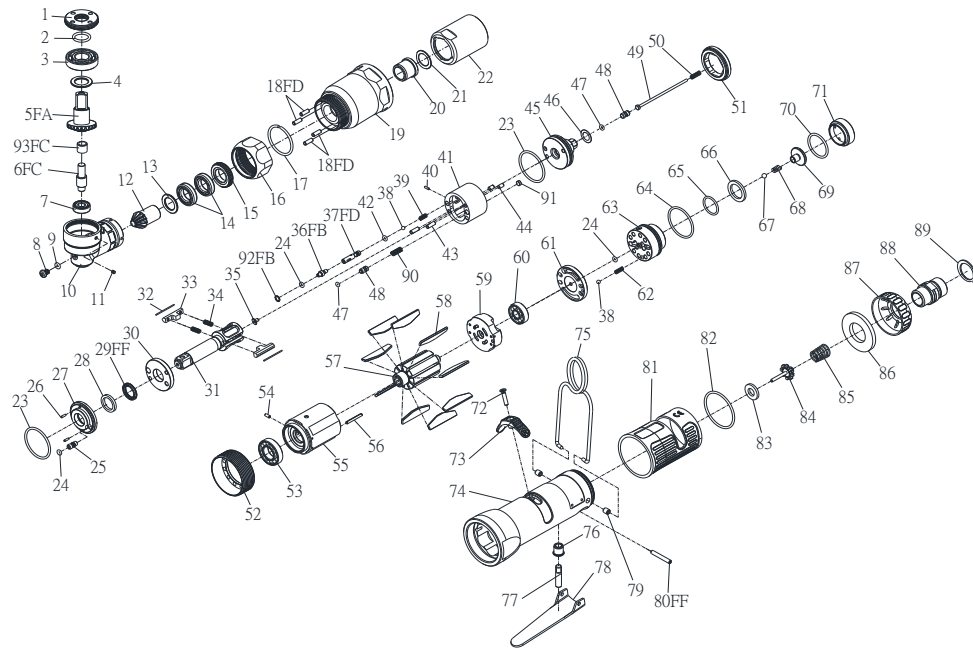


# IMPULSE EXPLODING VIEW (OPC 58050)



Edition:06F

Index No.	Part No.	Description	Q'ty	USD	Index No.	Part No.	Description	Q'ty	USD
1	I70RH-706	Lock Nut	1	21	52	I70S-306	Lock Nut	1	28,35
2	00-41192	O-Ring (φ17xφ2)	1	0,7	53	00-2348	Ball Bearing	1	26,95
3	00-2353	Ball Bearing	1	44,1	54	00-3324	Spring Pin	1	0,7
4	I70RH-711	Washer	1	9,45	55	I70S-302	Cylinder	1	154,7
5FA	I70RG-705-B	Shaft Gear	1	57,05	56	00-3326	Spring Pin	1	0,7
6FC	I70RH-707-B	Shaft	1	19,25	57	I70S-303	Rotor	1	68,95
7	00-2357	Ball Bearing	1	13,65	58	I70S-304	Rotor Blade	9	13,3
8	I90-410	Greasing Screw	1	0,7	59	I70RG-305	Rear Plate	1	52,85
9	00-4153	O-Ring (φ3xφ1.5)	1	0,7	60	00-2356	Ball Bearing	1	14,35
10	I70RH-701	Angle Housing	1	98,35	61	I40S-310	Air Inlet Plate	1	23,45
11	00-0605	Set Screw	1	0,7	62	305F-034	Spring	1	0,7
12	I70RH-704	Main Shaft Gear	1	41,3	63	IS40S-502	F/R Valve	1	42
13	I70RH-712	Washer	1	8,75	64	00-41146	O-Ring (φ21xφ1.5)	1	0,7
14	00-2376	Ball Bearing	2	40,25	65	00-4121	O-Ring (φ15xφ1.5)	1	0,7
15	I70RH-709	Lock Nut	1	16,1	66	IS40S-312	Valve Washer	1	9,1
16	I70RH-702	Lock Nut	1	21	67	00-3824	Steel Ball	1	0,7
17	I70RH-708	Anvil Collar	1	1,75	68	IS40S-313	Spring	1	1,4
18	00-3448	Pin	1	1,4	69	IS40S-311	Valve	1	8,75
19	I70RH-201	Pulse Unit Housing	1	57,05	70	00-41125	O-Ring (φ20.35xφ1.78)	1	0,7
20	I40S-202	Bushing	1	17,15	71	I40S-309	Seat	1	15,4
21	I40S-424	Washer	1	1,4	72	00-0507	Screw	1	0,7
22	I70-401	Pulse Cylinder Seat	1	38,15	73	I40S-503	Regulator Knob	1	1,75
23	00-41160	O-Ring (φ30xφ1.5)	2	1,05	74	I70S-101	Motor Housing	1	216,3
24	00-41113	O-Ring (φ2xφ1.5)	3	0,35	75	I40S-102	Hanger	1	8,75
25	I70-410	Greasing Screw	1	2,1	76	I40S-509	Bushing	1	3,85
26	00-3318	Spring Pin	2	0,7	77	IS40S-510	Pin	1	3,5
27	I70-403	Front Cover	1	27,65	78	I40S-504	Trigger	1	1,4
28	I70-409	Back Up Ring	1	1,75	79	I40S-108	Bushing	2	#VALUE!
29FF	00-2612	X-Ring	1	8,75	80FF	00-3302	Spring Pin	1	0,7
30	I70-408	Front Plate	1	39,2	81	I40S-103	Housing Rubber	1	5,95
31	I70RH-405	Anvil	1	93,45	82	00-41127	O-Ring (φ27xφ1.5)	1	1,05
32	I70-452	Roller	2	7,7	83	I40S-508	Bushing	1	1,4
33	I70-406-B	Drive Blade	2	64,4	84	305C-021	Valve Stem	1	1,4
34	I70-407	Spring	2	2,1	85	I40S-507	Spring	1	1,4
35	IS40-450	Block Valve	1	8,75	86	I40S-601	Muffler	1	4,55
36FB	I80-411	Valve Screw	1	5,25	87	I40S-603	Exhaust Deflector	1	1,75
37FD	IS70-412-C	Valve	1	12,6	88	I40S-604A	Air Inlet 1/4" PF	1	0
38	00-3813	Steel Ball	2	0,35	88	I40S-604B	Air Inlet 1/4" PT	1	17,15
39	IS70RG-425	Spring	1	1,4	89	I40S-604C	Air Inlet 1/4" NPT	1	0

40	00-3436	Pin	1	1,4	89	00-3509	Snap Ring	1	0,7
41	I70-404-B	Pulse Cylinder	1	206,2	90	I70S-453	Spring	1	1,4
42	00-41130	O-Ring (φ2xφ1)	1	0,7	91	I40S-454	Block Cap	1	2,8
43	00-3435	Pin	2	1,4	92FB	I80-422	Back Up Ring	1	2,45
44	00-3407	Pin	2	1,05	93FC	I70RH-713	Bushing	1	5,25
45	IS70-415-C	Rear Plate	1	109,2	∅	IS70RGRK	Repair kit :Index No-		20,65
46	I40S-423	Washer	1	1,05			23(2);24(2);28;29FF;34(2);47(2)		0
47	00-41173	O-Ring (φ1.42xφ1.53)	2	0,35	∅	IS70RGSK	Service kit :Index No-		607,25
48	IS40S-421	Pressure Valve	2	10,15			5FA; 12; 30; 31; 32(2);33(2);45;		0
49	IS130-314	Shut Off Stem	1	11,9			58(9);68;83;84;85		0
50	IS150-317	Spring	1	1,4	∅	01-0508B	Impulse Oil(100c.c)		35
51	I70-402	Lock Nut	1	8,4	∅	01-0507B	Impulse Oil(1000c.c)		315
★Pulse unit includes: 22,23,24,25,26,27,28,29FF,30,31,32,33,34,35,36FB,37FD,38,39,40,41C,42,43,44,45,47,48,51,90,91,92FB									889