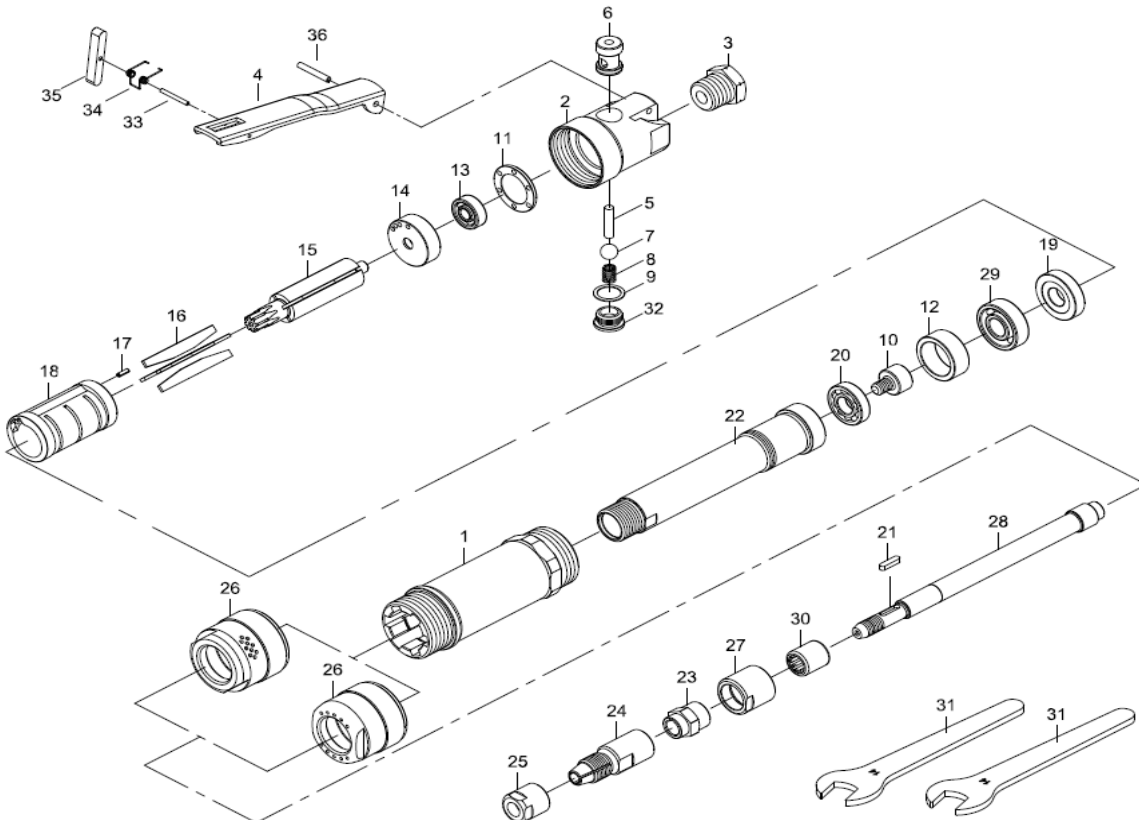


**OPC 62018 DIE GRINDER**



No.	Part No.	Description	Q'ty	PRICE/PC	No.	Part No.	Description	Q'ty	PRICE/PC
				USD					USD
1	5E-260R01	Motor Housing	1	<b>\$ 50,40</b>	19	5E-260R19	Front End Plate	1	<b>\$ 12,60</b>
2	50-290N09	Rear Body	1	<b>\$ 50,40</b>	20	040120-12	Ball Bearing (EE3)	1	<b>\$ 12,00</b>
3	50-240N03-1	Air Inlet PF19	1	<b>\$ 3,60</b>	21	5E-260R38	Key	1	<b>\$ 2,40</b>
4	50-250S04	Throttle Lever	1	<b>\$ 8,40</b>	22	5E-260R35	Wheel Spindle Case	1	<b>\$ 62,40</b>
5	50-240N05	Valve Shaft	1	<b>\$ 1,20</b>	23	5E-260R31	Chuck Collar	1	<b>\$ 26,40</b>
6	50-240N06	Valve Bushing	1	<b>\$ 4,20</b>	24	5E-260R36-12	Collet 6 mm	1	<b>\$ 24,00</b>
7	50-240N35	Ball	1	<b>\$ 2,40</b>	25	5E-260R37	Collet Nut	1	<b>\$ 6,00</b>
8	50-240N08	Spring	1	<b>\$ 1,20</b>	26	5E-261R11	Exhaust Cover (Front)	1	<b>\$ 16,80</b>
9	50-240N17	Cover Packing	1	<b>\$ 1,20</b>	27	50-260R32	Spindle Bearing Cover	1	<b>\$ 6,60</b>
10	5E-260R34	Coupling	1	<b>\$ 15,00</b>	28	5E-260R33	Wheel Spindle	1	<b>\$ 42,00</b>
11	50-250R12	Bearing Cover	1	<b>\$ 7,80</b>	29	06000	Ball Bearin(6000)	1	<b>\$ 7,80</b>
12	5E-260R30	Ring	1	<b>\$ 4,20</b>	30	0HK1015	Needle Bearing	1	<b>\$ 15,60</b>
13	0606	Ball Bearing (606)	1	<b>\$ 12,60</b>	31	50-260R31	Spanner	2	<b>\$ 4,20</b>
14	50-250R14	Rear End Plate	1	<b>\$ 26,40</b>	32	50-240N10	Valve Cover	1	<b>\$ 3,60</b>
15	5E-260R15	Rotor	1	<b>\$ 39,60</b>	33	51542	Spring Pin	1	<b>\$ 1,20</b>
16	50-250R16	Vane	4	<b>\$ 3,60</b>	34	51541	Spring	1	<b>\$ 1,20</b>
17	70117-12	Spring Pin	1	<b>\$ 0,60</b>	35	50-241S40	Safety Bar	1	<b>\$ 5,40</b>
18	50-250R18	Cylinder	1	<b>\$ 40,20</b>	36	50102-12	Spring Pin	1	<b>\$ 1,20</b>

