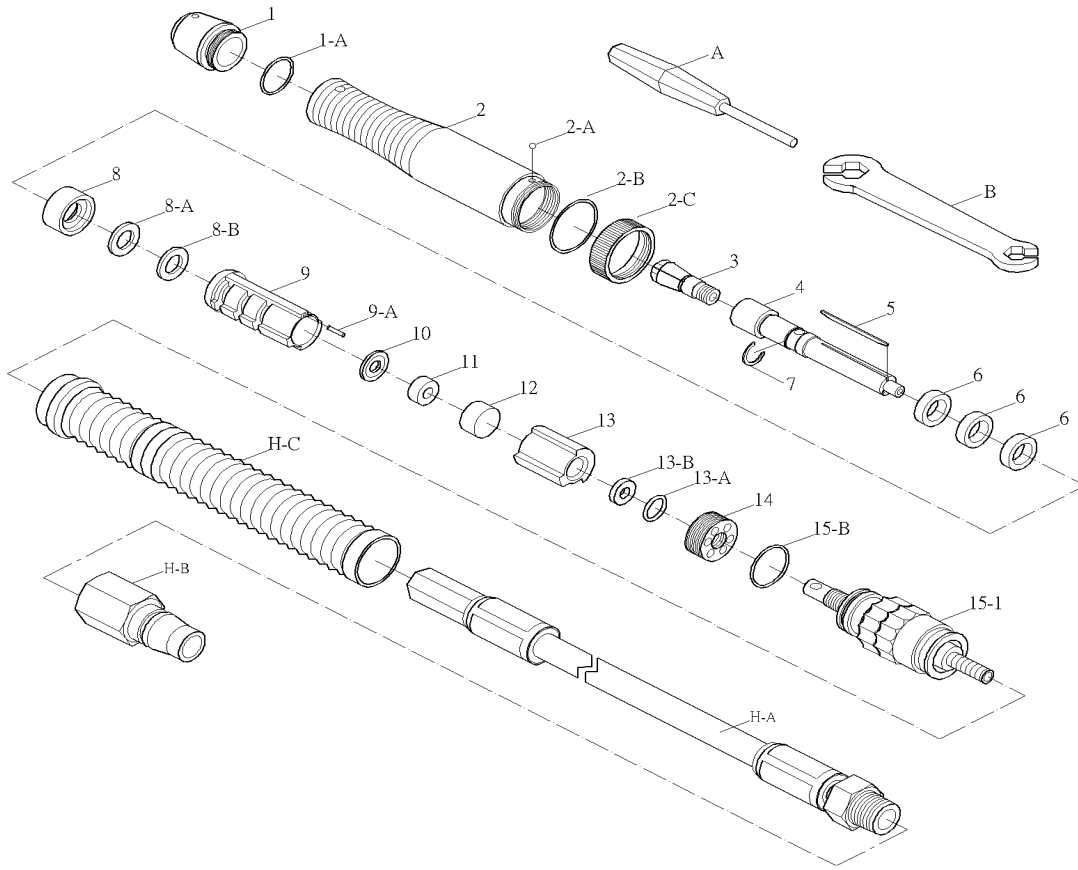


OPT-P 1503



OPT-P 1503

Part No.	Parts Name	Q'ty
1	Front Cover	1
1-A	O-Ring	1
2	Body	1
2-A	Fixed Ball	1
2-B	O-Ring	1
2-C	Fixed Ball Cover	1
3	Holder	1
4	Main Shaft	1
5	Blade	3
6	Bearing 678 ZZ	3
7	C7 Retaining Ring	1
8	Upper Cylinder	1
8-A	Plastic Ring	1
8-B	Washer	1
9	Cylinder Room	1
9-A	Fixed Pin	1
10	Rear Bearing Washer	1
11	Bearing 695zz	1
12	Bearing Case	1
13	Air Inlet Body	1
13-A	O-Ring	1
13-B	Washer	1
14	Switch Fixed Valve	1
15-B	O-Ring	1
15-1	Switch Body	1
H-C	Muffer Pipe	1
H-A	Wind Pipe Set	1
H-B	Quick Joint	1
Accessories		
A	Fixed Pin	1
B	Spanner	1
C	Plastic Box Set	1