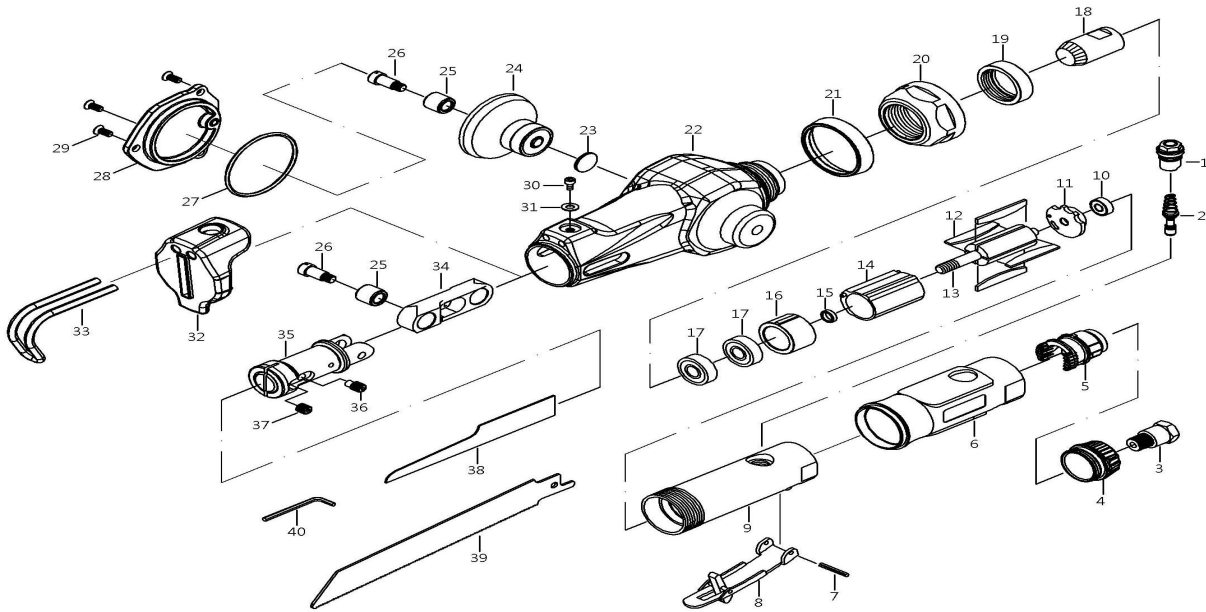


## OPT-P 312C Air Saw



NO	PARTS NO	DESCRIPTION	Q'TY	USD/PC	NO	PARTS NO	DESCRIPTION	Q'TY	USD/PC
1	ST-70004	REGULATOR SET	1	\$2,40	21	ST22045	RUBBER RING	1	\$1,80
2	ST-22007-1	VALVE STEM SET	1	\$7,80	22	ST-22029	HEAD SET	1	\$33,60
3	ST22003	AIR INLET	1	\$2,40	23	ST22030	WASHER (15°1t)	1	\$0,60
4	ST-20010B-1	EXHAUST SLEEVE SET	1	\$1,80	24	ST-22033A	BEVEL GEAR SET (33T)	1	\$50,40
5	ST20022B	CONE MUFFLER	1	\$1,80	25	ST25441	BEARING (HK0609)	2	\$7,80
6	70014	PROTECTING RUBBER	1	\$4,80	26	ST22035	SCREW (M5*0.8P)	2	\$1,80
7	70432BK	SPRING PIN (3*24L)	1	\$0,60	27	ST22027	O-RING (S40)	1	\$0,60
8	ST80509	LEVER	1	\$4,20	28	ST-22036	HEAD COVER SET	1	\$3,00
9	ST21015	HOUSING	1	\$9,60	29	ST22037	SCREW (M4*8L)	3	\$0,60
10	20312	BEARING (696ZZ)	1	\$3,60	30	81340	SCREW (M5*6)	1	\$0,60
11	ST70017	REAR PLATE	1	\$4,80	31	ST70628	WASHER (6.4*11.5*1.6t)	1	\$0,60
12	20019	ROTOR BLADE	4	\$1,20	32	ST22054	PROTECTING ACRYLIC	1	\$3,00
13	ST288321	ROTOR	1	\$10,80	33	ST22044	ATTACHMENT	1	\$1,80
14	ST-70021	CYLINDER SET	1	\$7,20	34	ST22039	DRIVE SHAFT	1	\$15,00
15	20022	BEARING SPACER	1	\$1,80	35	ST-22040A	HOLDER CAP SET	1	\$20,40
16	ST21023	FRONT PLATE	1	\$6,00	36	ST22046	SCREW PIN (M5*10L)	1	\$1,20
17	21024	BEARING (608ZZ)	2	\$3,60	37	ST22041	SCREW PIN (M5*8L)	1	\$0,60
18	ST22026	BEVEL GEAR (9T)	1	\$18,00	38	ST2204224	SAW	1	\$0,00
19	21026	NUT	1	\$3,00	39	ST2204318	SAW	1	\$0,00
20	ST21027	CLAMP NUT	1	\$4,80	40	ST22050	HEX (2.5mm)	1	\$0,60