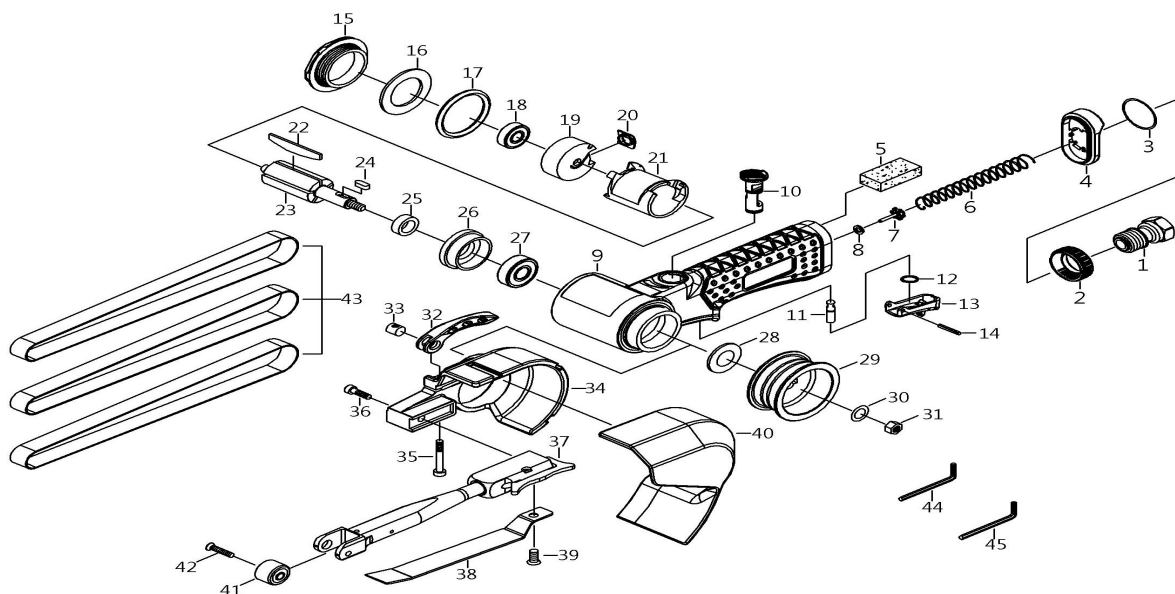


OPT-P702C Air Belt Sander (3/4"X20-1/2")



NO	PART NO	DESCRIPTION	Q'TY	USD/PC	NO	PART NO	DESCRIPTION	Q'TY	USD/PC
1	ST706A01	AIR INLET	1	\$4,20	25	ST25125	BEARING SPACER	1	\$1,20
2	ST706A02	EXHAUST SLEEVE	1	\$1,80	26	ST70625	FRONT PLATE	1	\$15,60
3	ST706A03	O-RING (24*1)	1	\$0,60	27	70048A	BEARING (6000ZZ)	1	\$5,40
4	ST706A04AS	EXHAUST COVER SET	1	\$3,60	28	ST70664	DUSTPROOF WASHER	1	\$0,60
5	ST70603	SILENCER (60L)	1	\$1,20	29	ST70827A-1	DRIVE PULLEY	1	\$22,80
6	ST70604	SPRING	1	\$1,20	30	ST70828	WASHER (8.4*15.5*1.6t)	1	\$0,60
7	ST288315	VALVE	1	\$1,20	31	ST70829	NUT (M8*1P)	1	\$0,60
8	ST288316	WASHER	1	\$1,20	32	ST187550	TRIGGER	1	\$3,60
9	ST70807	HOUSING	1	\$42,00	33	ST187551	BUSHING	1	\$2,40
10	ST70608AS	REGULATOR SET	1	\$2,40	34	ST70832	GUARD SUB	1	\$12,60
11	ST70612AS	VALVE STEM SET	1	\$1,20	35	BT246652-4	SCREW (M4*27L)	1	\$0,60
12	2HG-16A	SNAP RING (STW-9)	1	\$0,60	36	26043	SCREW (M5*0.8P*16L)	1	\$0,60
13	ST-70614	LEVER	1	\$3,00	37	ST70848BAS	TENSION BAR SET	1	\$97,20
14	12012,1	SPRING PIN (3*24L)	1	\$0,60	38	ST70840A	SHOE	1	\$4,80
15	ST70616	CAP	1	\$4,80	39	80528	SCREW (M5*0.8P*6L)	1	\$0,60
16	ST70869	WASHER (22*32.3*1.5t)	1	\$2,40	40	ST70834	SHROUD	1	\$7,80
17	90443	O-RING (AS029)	1	\$0,60	41	ST70853AAS	IDLE PULLEY SET	1	\$32,00
18	22536A	BEARING (626ZZ)	1	\$3,60	42	ST70854A	SCREW (M5*1P)	1	\$4,20
19	ST70819	REAR PLATE	1	\$13,80	43	ST70857-40#	SANDING BELT (40#)	1	\$0,00
20	ST70868	PACKING	1	\$1,20	43	ST70857-60#	SANDING BELT (60#)	1	\$0,00
21	ST29022AAS	CYLINDER SET	1	\$25,20	43	ST70857-80#	SANDING BELT (80#)	1	\$0,00
22	ST29020	ROTOR BLADE	6	\$1,20	44	ST70659	HEX (2mm)	1	\$0,60
23	ST70823	ROTOR	1	\$21,60	45	23039	HEX (3mm)	1	\$0,60
24	ST70624	KEY	1	\$1,20					